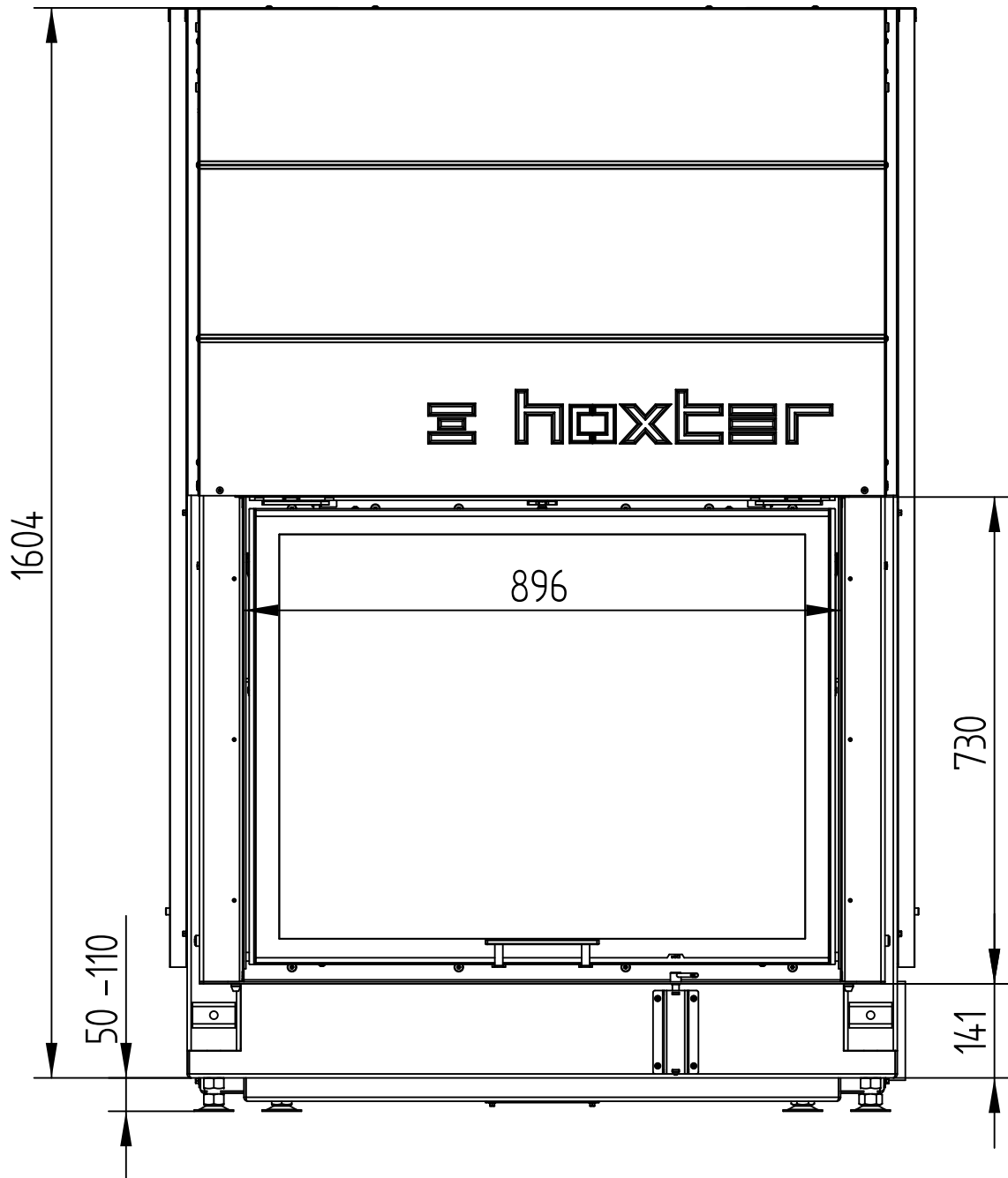


OPERATION WHEN DIRECTLY CONNECTED TO CHIMNEY	
Tested according to	EN 13229
Nominal heat power	13,5 kW
Efficiency	> 80 %
Consumption of wood	3,8 kg/h
Mass flow of flue gas	10,7 g/s
Average flue gas temperature on the output	325 °C
Heat distribution	
fireplace insert	58–73 %
door glass (single / double)	42 / 27 %
Required chimney pressure	12 Pa
Required amount of combustion air	40 m ³ /h
Minimum supply air grating cross-section	1 200 cm ²
Minimum outgoing air grating cross-section	1 400 cm ²

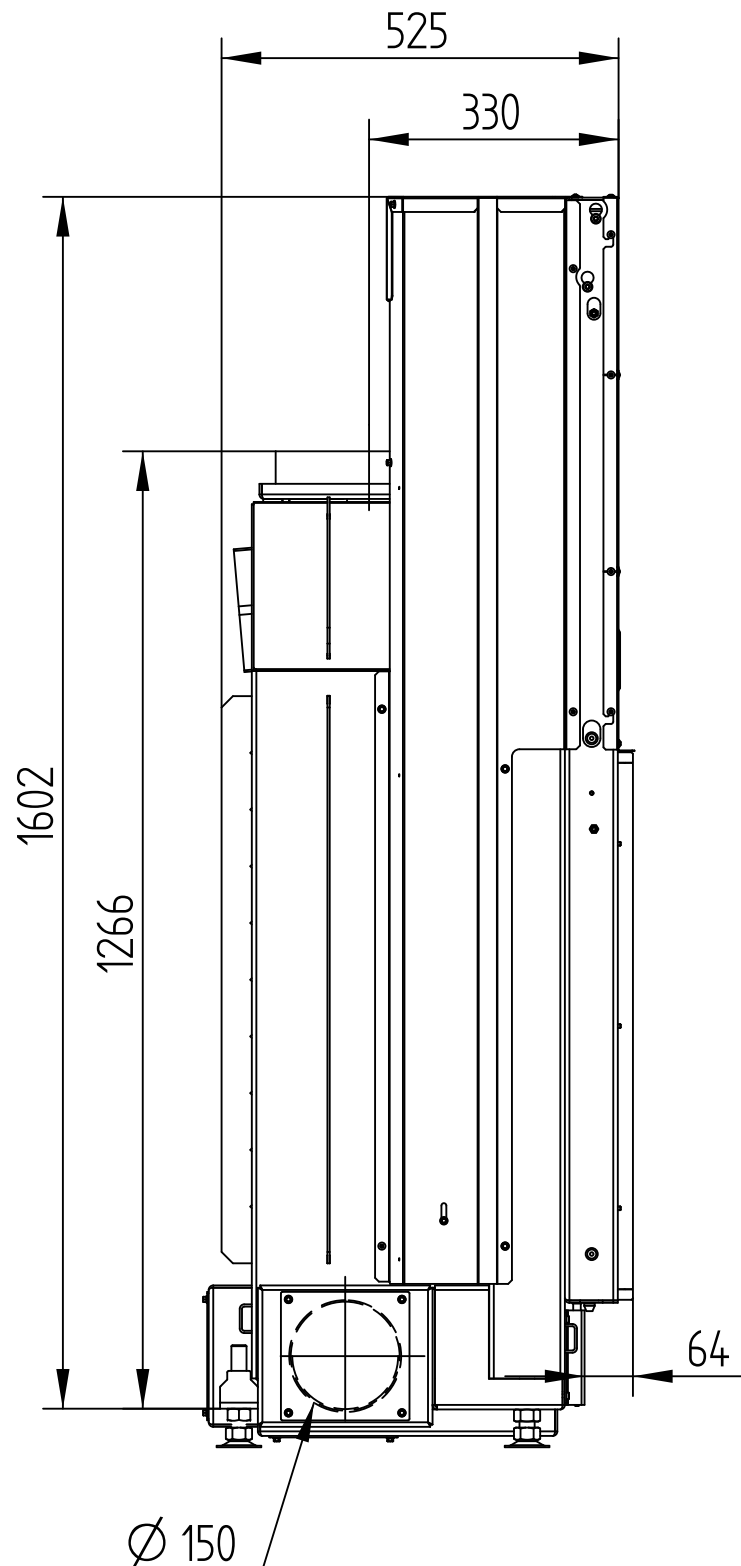
GENERAL TECHNICAL INFORMATION	
Combustion air connection	Ø 150 mm
Total weight / lining weight	ca. 410 / 147 kg
Use in non-ventilated accumulation builds according to craft rules	suitable
Meets values	BImSchV (Stufe2), 15a BvG

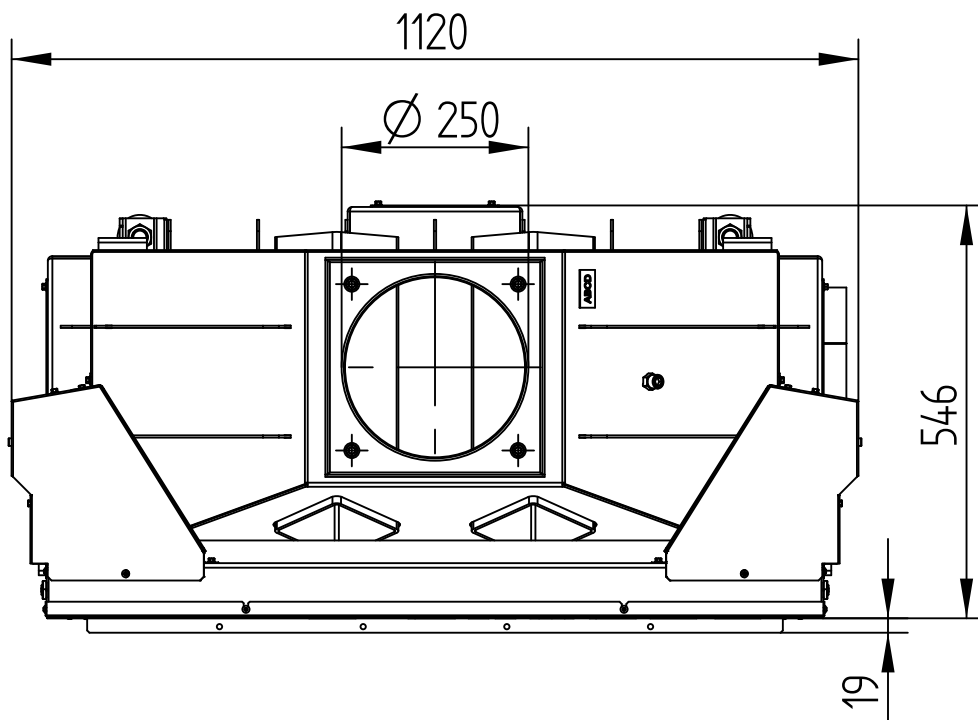


HAKA 89/72h

Technical data
Version 01/2015

M 1 : 10



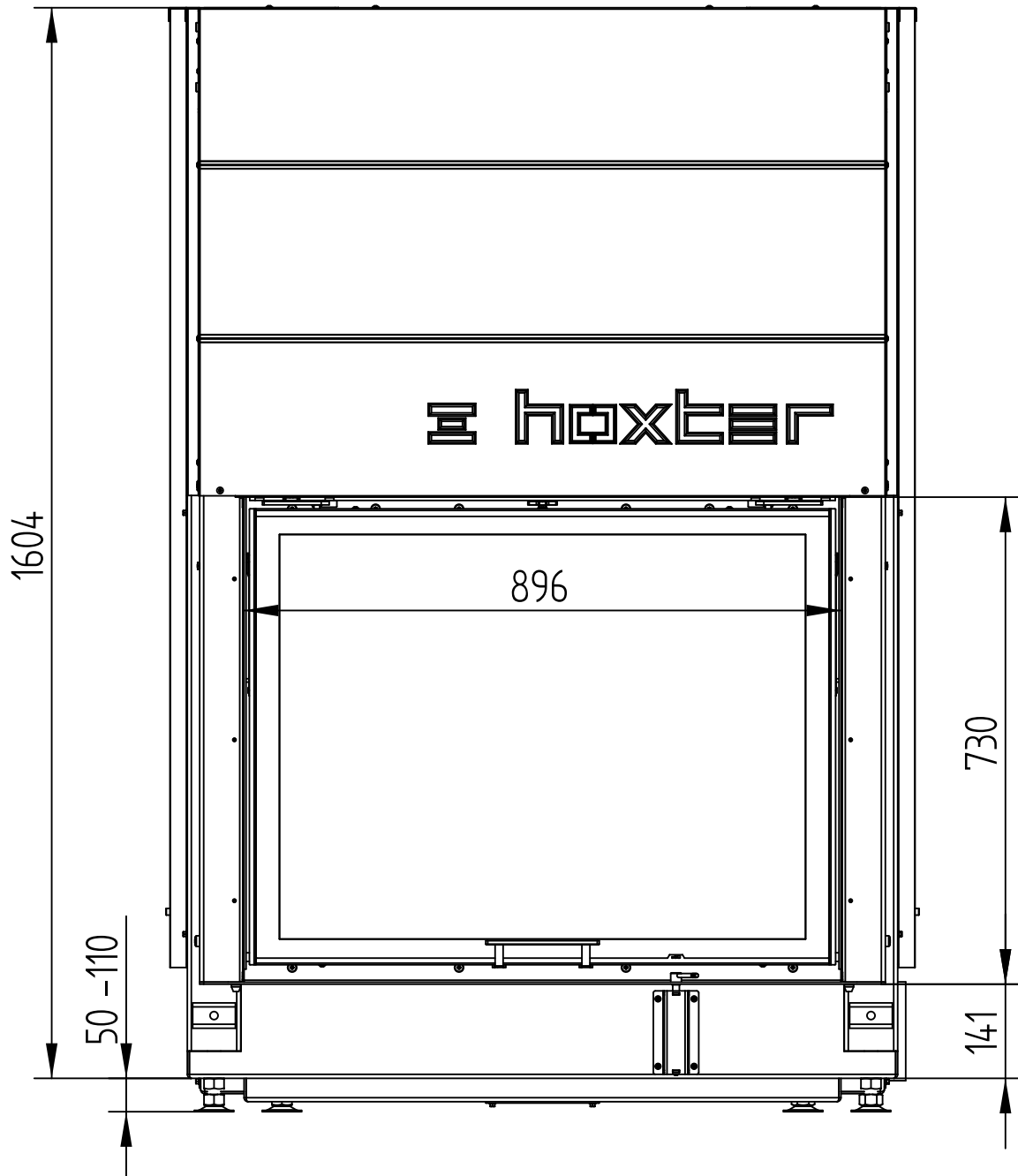


HAKA 89/72h

HOT AIR JACKET

Technical data
Version 01/2015

M 1 : 10

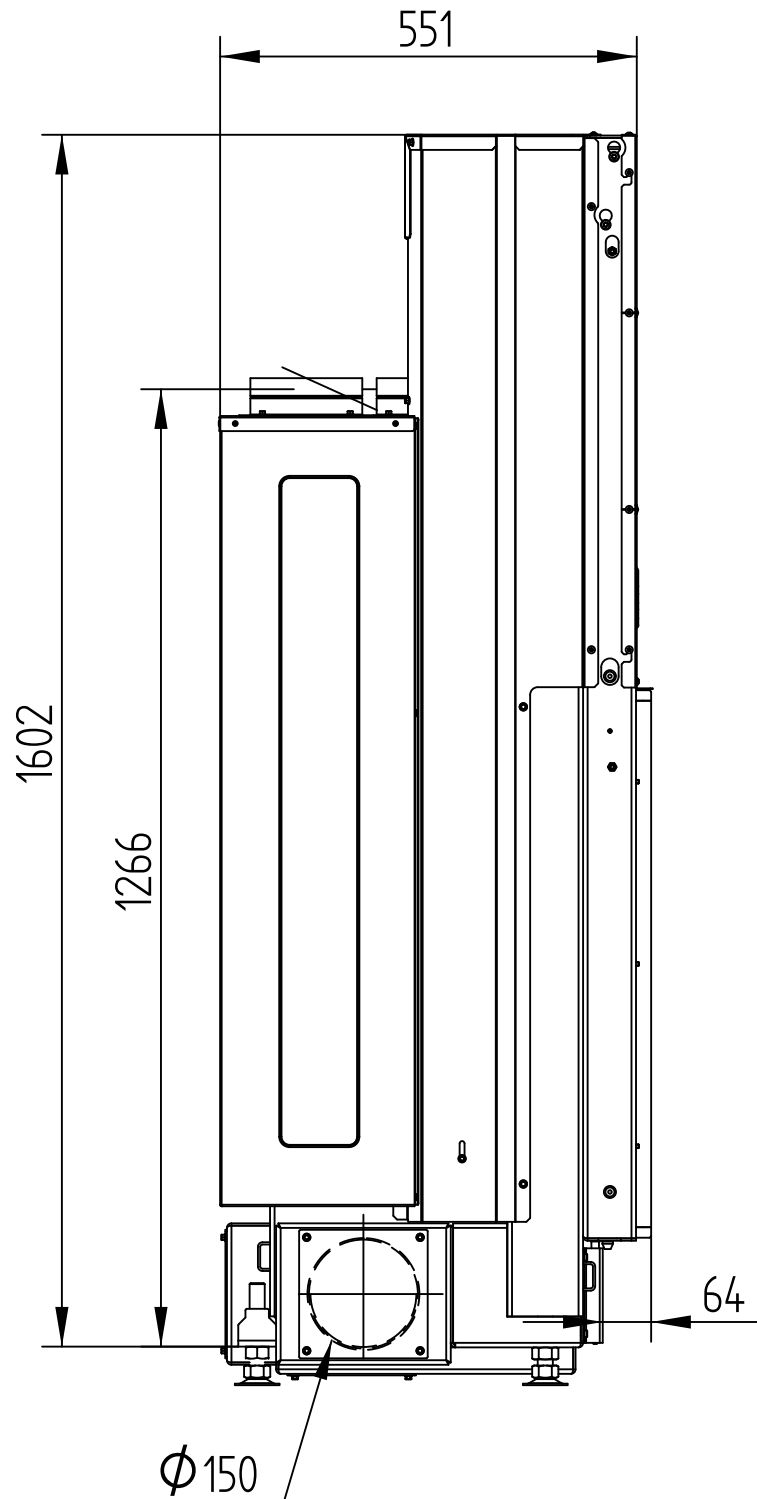


HAKA 89/72h

HOT AIR JACKET

Technical data
Version 01/2015

M 1 : 10

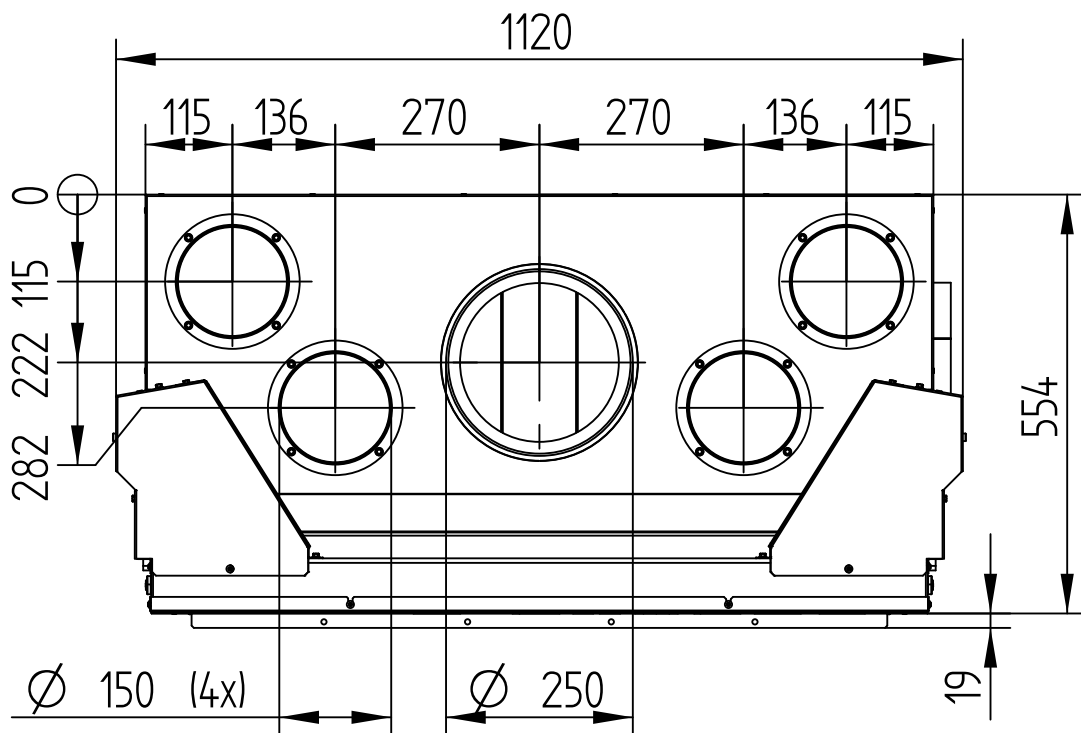


HAKA 89/72h

HOT AIR JACKET

Technical data
Version 01/2015

M 1 : 10

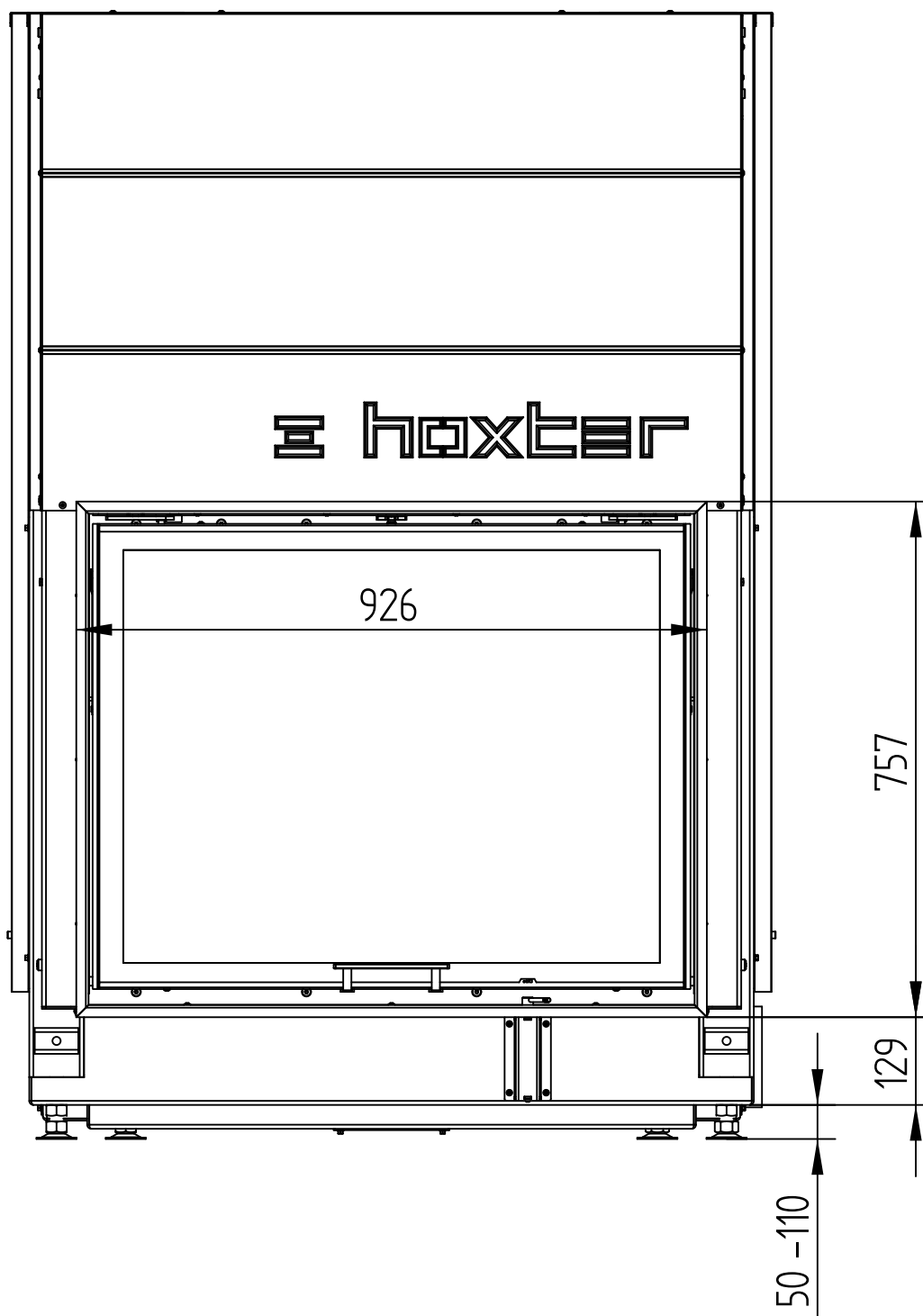


HAKA 89/72h

Technical data
Version 01/2015

COVER FRAME 4-SIDED 1 x 90°, 50 mm

M 1 : 10

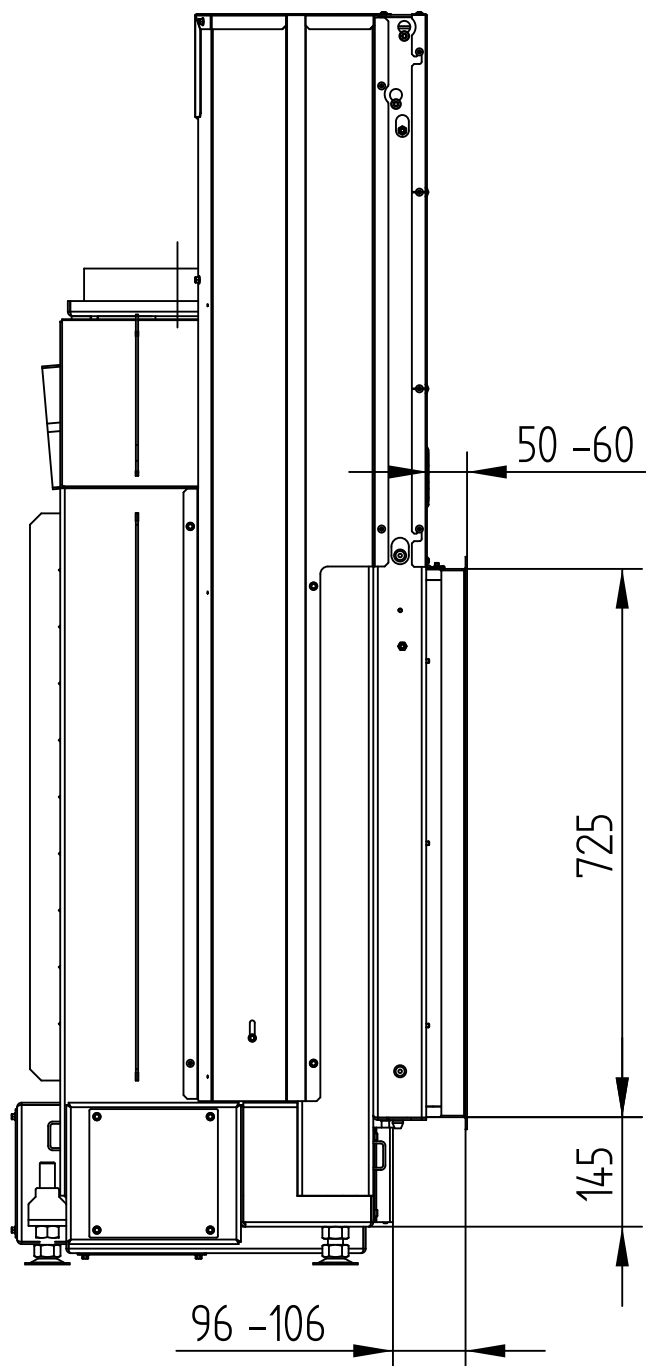


HAKA 89/72h

COVER FRAME 4-SIDED 1 x 90°, 50 mm

Technical data
Version 01/2015

M 1 : 10

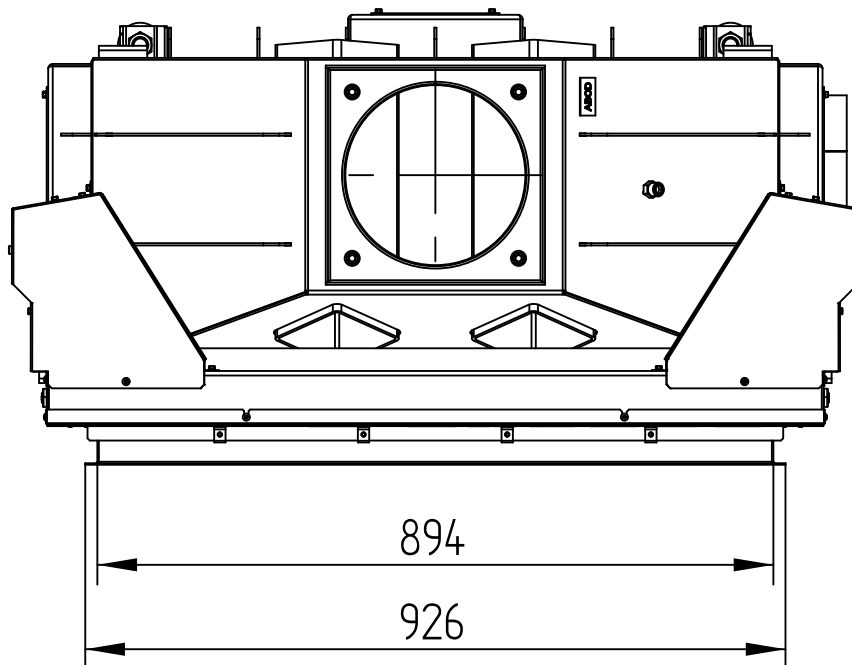


HAKA 89/72h

Technical data
Version 01/2015

COVER FRAME 4-SIDED 1 x 90°, 50 mm

M 1 : 10

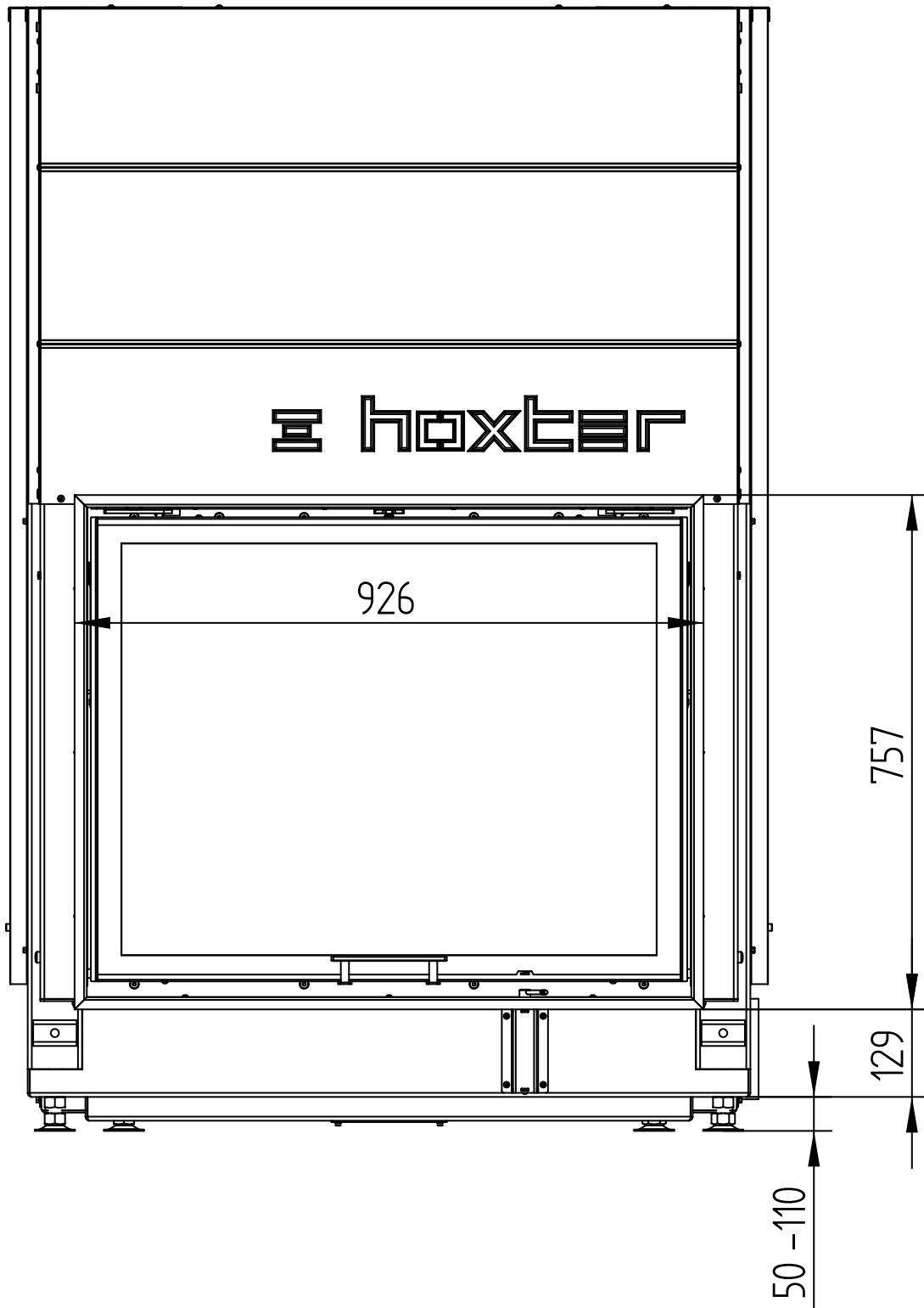


HAKA 89/72h

Technical data
Version 01/2015

COVER FRAME 4-SIDED 1 x 90°, 80 mm

M 1 : 10

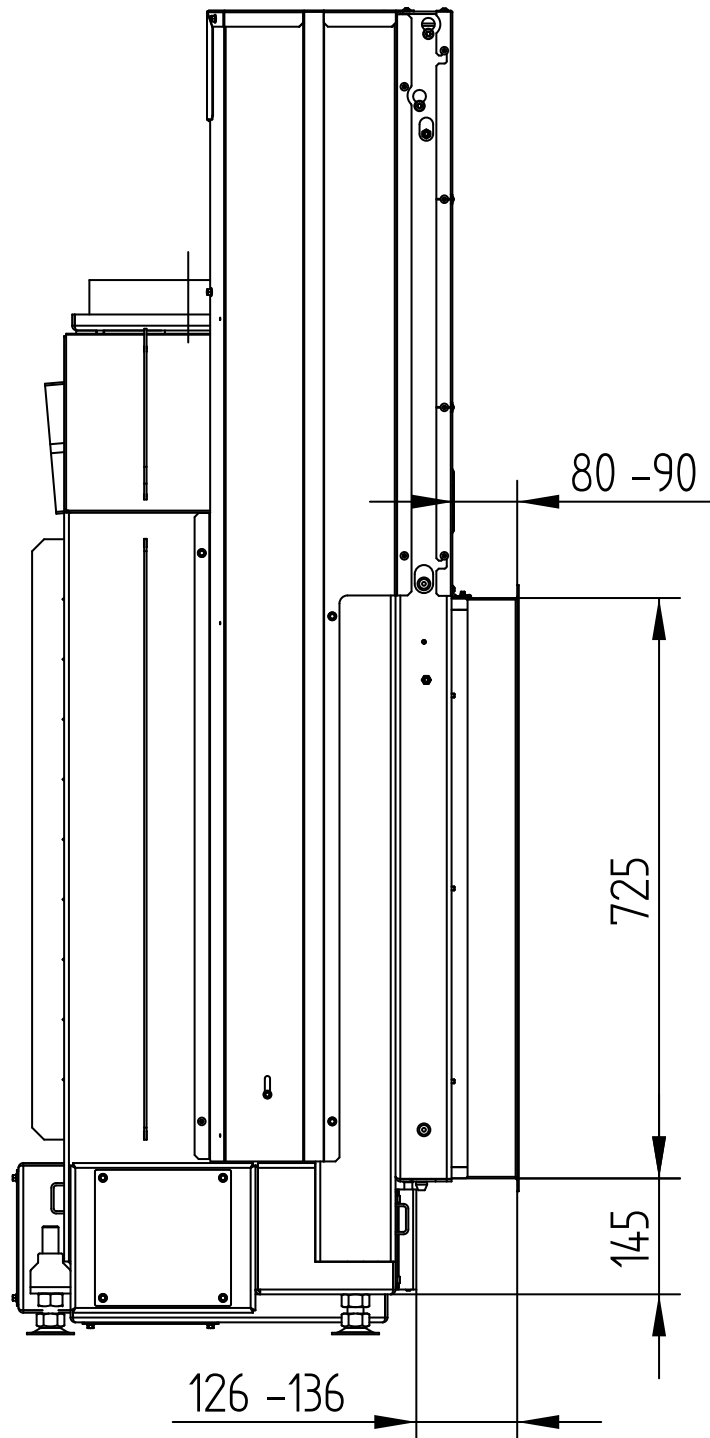


HAKA 89/72h

COVER FRAME 4-SIDED 1 x 90°, 80 mm

Technical data
Version 01/2015

M 1 : 10

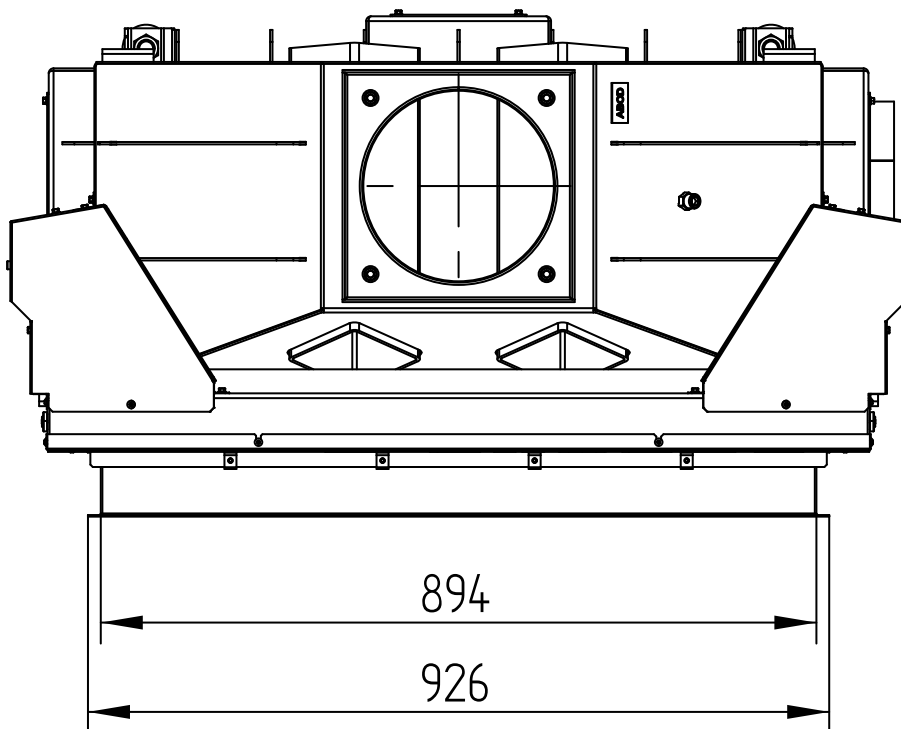


HAKA 89/72h

Technical data
Version 01/2015

COVER FRAME 4-SIDED 1 x 90°, 80 mm

M 1 : 10

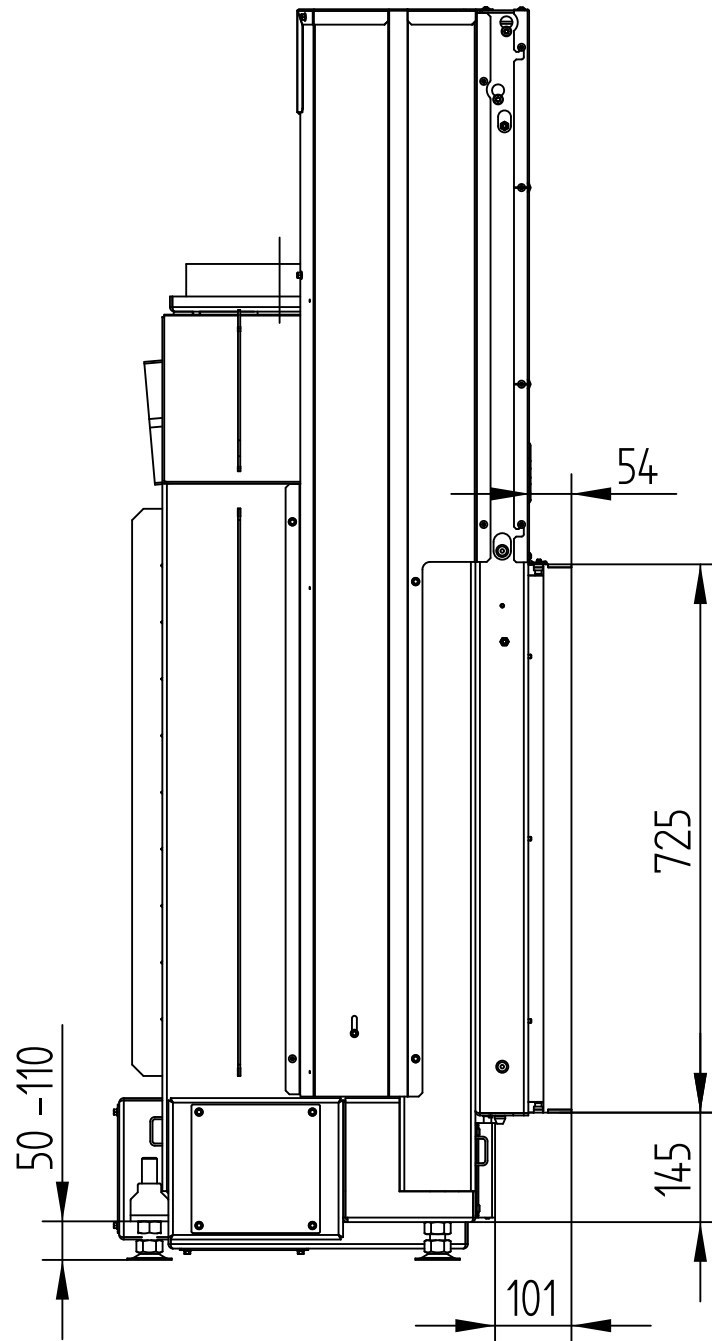


HAKA 89/72h

BUILD-ON FRAME 4-SIDED, 50 mm

Technical data
Version 01/2015

M 1 : 10

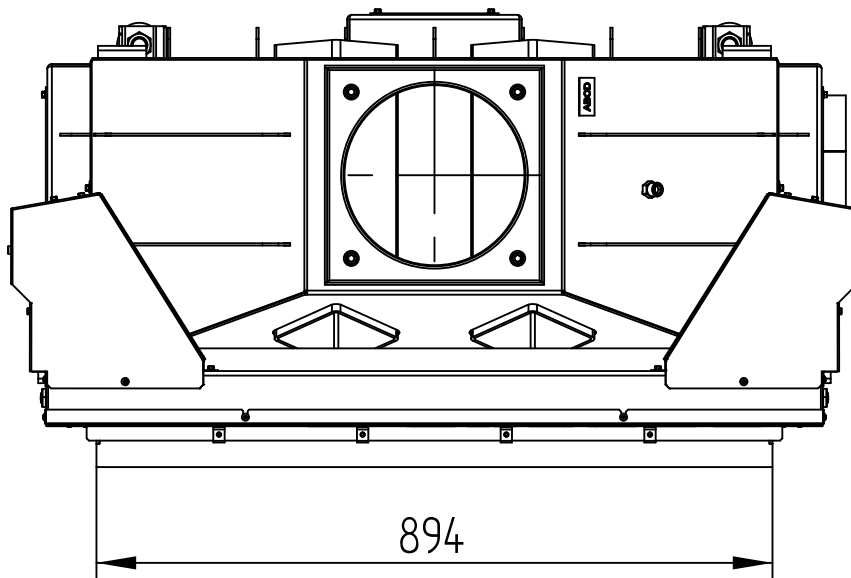


HAKA 89/72h

BUILD-ON FRAME 4-SIDED, 50 mm

Technical data
Version 01/2015

M 1 : 10

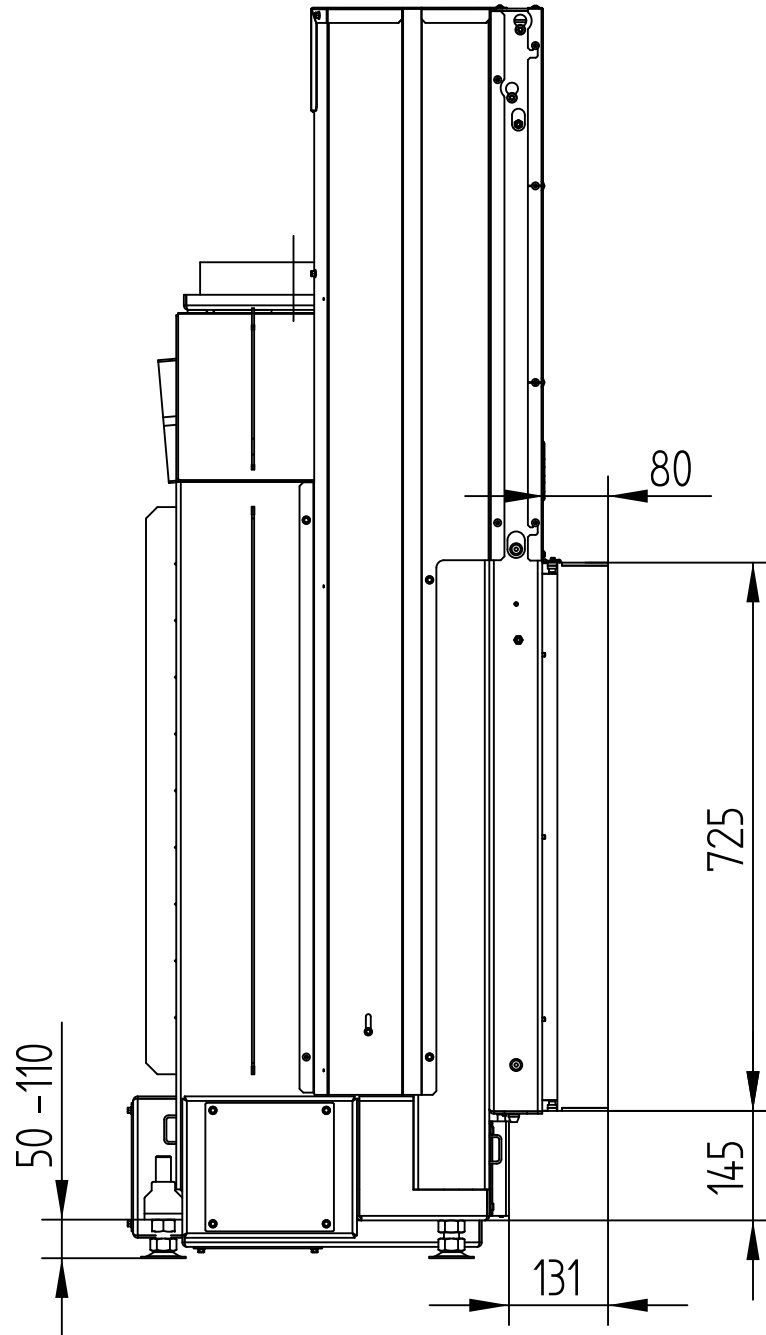


HAKA 89/72h

BUILD-ON FRAME 4-SIDED, 80 mm

Technical data
Version 01/2015

M 1 : 10



HAKA 89/72h

BUILD-ON FRAME 4-SIDED, 80 mm

Technical data
Version 01/2015

M 1 : 10

