

version 01/2019

DEFRO HOME 

kominki z klasą

04

**FIREPLACE
AIR INSERTS**

- 05 DEFRO HOME PRIMA XSM
- 06 DEFRO HOME PRIMA SM
- 07 DEFRO HOME PRIMA ME
- 08 DEFRO HOME PRIMA LA
- 09 DEFRO HOME PRIMA SM BP MINI
- 10 DEFRO HOME PRIMA SM BP
- 11 DEFRO HOME PRIMA ME BP
- 12 DEFRO HOME PRIMA SM BL MINI
- 13 DEFRO HOME PRIMA SM BL
- 14 DEFRO HOME PRIMA ME BL
- 15 DEFRO HOME PRIMA SM G
- 16 DEFRO HOME PRIMA ME G

- 17 DEFRO HOME PRIMA LA G
- 18 DEFRO HOME PRIMA SM BP MINI G
- 19 DEFRO HOME PRIMA SM BP G
- 20 DEFRO HOME PRIMA ME BP G
- 21 DEFRO HOME PRIMA SM BL MINI G
- 22 DEFRO HOME PRIMA SM BL G
- 23 DEFRO HOME PRIMA ME BL G
- 24 DEFRO HOME PRIMA SM T
- 25 DEFRO HOME PRIMA ME T
- 26 DEFRO HOME PRIMA LA T
- 27 DEFRO HOME PRIMA SM T G
- 28 DEFRO HOME PRIMA ME T G

- 29 DEFRO HOME PRIMA LA T G
- 30 INTRA SM SLIM
- 31 INTRA ME SLIM
- 32 INTRA SM BP SLIM
- 33 INTRA ME BP SLIM
- 34 INTRA SM BL SLIM
- 35 INTRA ME BL SLIM
- 36 INTRA SM SLIM G
- 37 INTRA ME SLIM G
- 38 INTRA SM BL SLIM G
- 39 INTRA ME BL SLIM G
- 40 INTRA SM BP SLIM G

- 41 INTRA ME BP SLIM G
- 42 IMPULS SM
- 43 IMPULS ME
- 44 IMPULS SM BL
- 45 IMPULS ME BL
- 46 IMPULS SM BP
- 47 IMPULS ME BP
- 48 ADDITIONAL CONFIGURATION
- 49 DECORATIVE FRAMES

52

**FIREPLACE INSERTS
WITH WATER JACKET**

- 53 RIVA SM HORT
- 54 RIVA ME SHORT
- 55 RIVA LA SHORT
- 56 RIVA SM BP SHORT

- 57 RIVA ME BP SHORT
- 58 RIVA SM BL SHORT
- 59 RIVA ME BL SHORT
- 60 NAVI SM

- 61 NAVI ME
- 62 NAVI SM G
- 63 NAVI ME G
- 64 ADDITIONAL CONFIGURATION

- 65 DECORATIVE FRAMES

67

**WOOD
STOVES**

- 68 ORBIS
- 69 ORBIS LOG
- 70 ORBIS TOP
- 71 SOLUM

- 72 SOLUM TOP
- 73 SOLUM LOG
- 74 IGNIS
- 75 CUBE

- 76 ORTI
- 77 OVAL
- 78 ADDITIONAL CONFIGURATION

79

**PELLET
STOVES**

- 80 MYPELL
- 81 SLIMPELL

- 82 MYPELL DGP
- 83 ADDITIONAL CONFIGURATION



We take care of ecology, high quality and precision of execution. Modern design combined with many years of experience in the production of heating equipment guarantees the satisfaction of our esteemed customers for many years.



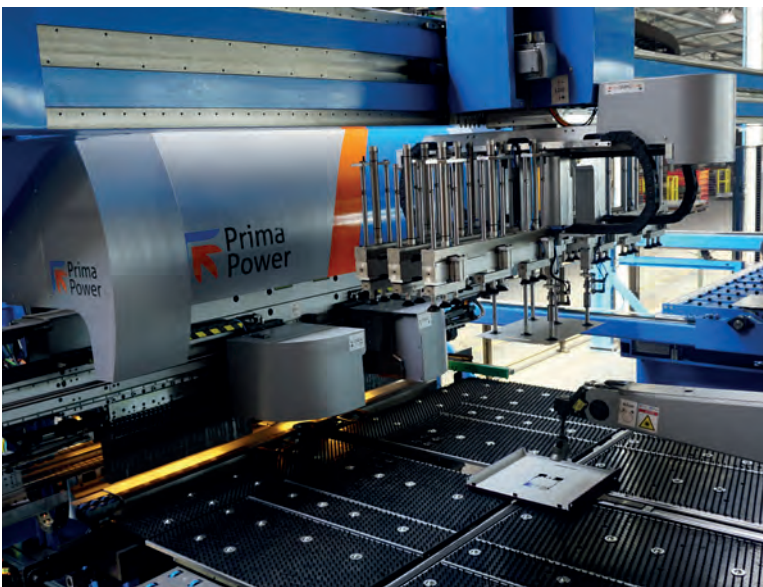
Robert Dziubela
CEO



Defro company was established in 1973. At the time we provided iron-working and welding services. In time our offer included the production of central heating boilers. Currently we are the leader among the producers of heating appliances in Poland and one of the biggest in Europe. We have at our disposal a modern, computerized production plant. We constantly expand and upgrade our machine facilities which consist of several technological blocks.

Our own construction office is an asset which enables complex project realization starting with preparation of a choice concept and ending with serial production. All the products are made from start to finish in the company. A lot of emphasis is put on post-purchase and guarantee service. Thanks to a well developed technical support network our Service Centre swiftly and efficiently reacts to clients requests, thus providing a professional post purchase service of the offered products.

The company constantly expands it's external service network, additionally cooperates and periodically trains distributors and fitters from within Poland. The next stage of the company's activities is the addition of Defro Home series pellet stoves, free standing stoves and fireplace inserts to the offer.



BIMSCHV
stufe **2**

The rigorous EU regulations concerning the emissions of boilers flue gases, stoves and other heat equipment are due to be introduced in 2022. However in our offer, we already have fireplace inserts and boilers which comply with the strictest environmental regulations. The worsening condition of the environment is reflected by much more restrictive law regulations according to EU Directive commonly known as Eco design. Research has proven that our products comply with BImSchV2 and Eco design norms. Not only we offer excellent quality inserts but also protect the environment by minimizing dust and carbon dioxide emissions.

***FIREPLACE
AIR
INSERTS***



DEFRO HOME PRIMA ME T G



INTRA SM BP

nominal power	8 kW
flue diameter	150 mm
efficiency	80,9 %
heated area ¹	80-115 m²
CO emission - 13% O₂	0,049 %
flue gas temperature	250°C
chimney draught	12±2 Pa
maximum log length	350 mm
air intake diameter	125 mm
guarantee	5 years
weight	~154 kg
net price	1 033 €



1. Maximum area of heated rooms estimated for unit heat demand in the range of 70 to 100 W/m² and rooms for standard 2,5m height. The given values have been calculated for the minimum power of 30% and maximum power of 100%.

DEFRO HOME PRIMA XSM

BIMSCHV **2**
stufe

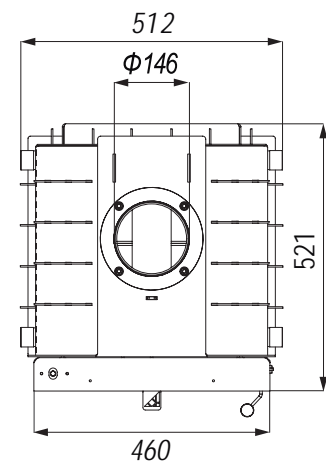
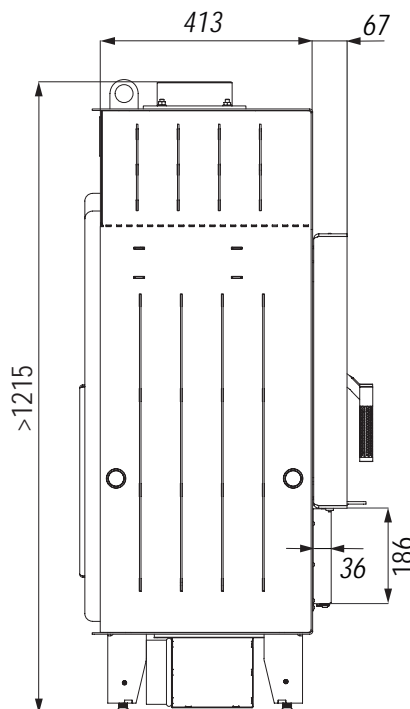
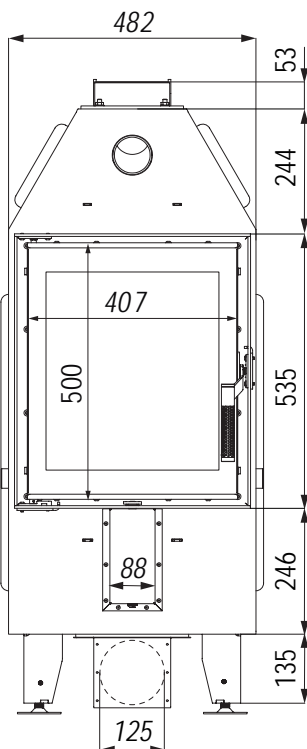


5 YEARS
WARRANTY

2 YEARS
CERAMITON
WARRANTY

1 YEAR
GRATE
WARRANTY

1 YEAR
DEFLECTOR
WARRANTY



Foot adjustment range from 0 to 100 mm.



nominal power	10 kW
flue diameter	200 mm
efficiency	80,1 %
heated area ¹	100-140 m²
CO emission - 13% O₂	0,07 %
flue gas temperature	267°C
chimney draught	12±2 Pa
maximum log length	500 mm
air intake diameter	125 mm
guarantee	5 years
weight	~200 kg
net price	1 173 €

1. Maximum area of heated rooms estimated for unit heat demand in the range of 70 to 100 W/m² and rooms for standard 2,5m height. The given values have been calculated for the minimum power of 30% and maximum power of 100%.

DEFRO HOME PRIMA SM

BIMSCHV
stufe **2**

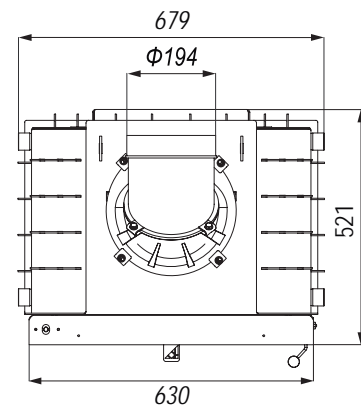
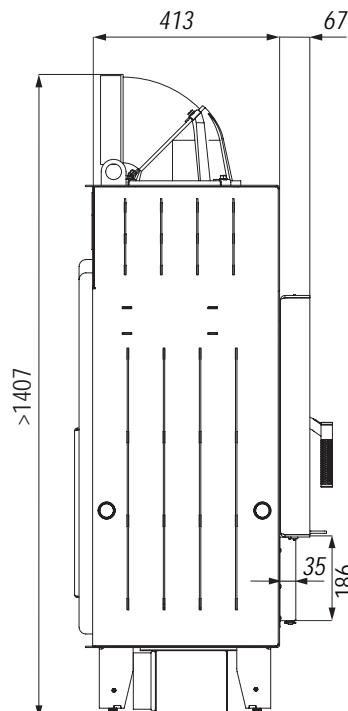
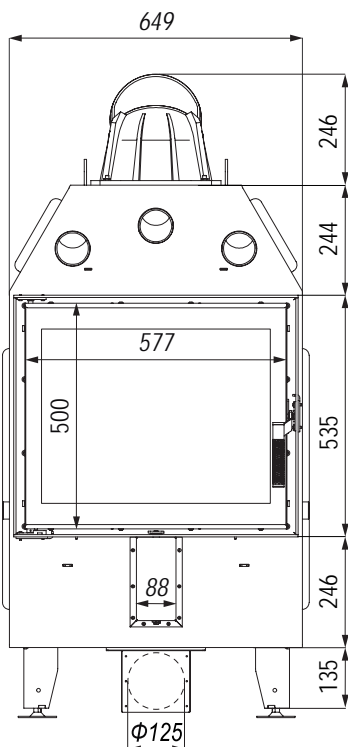


5 YEARS
WARRANTY

2 YEARS
WARRANTY

1 YEAR
WARRANTY

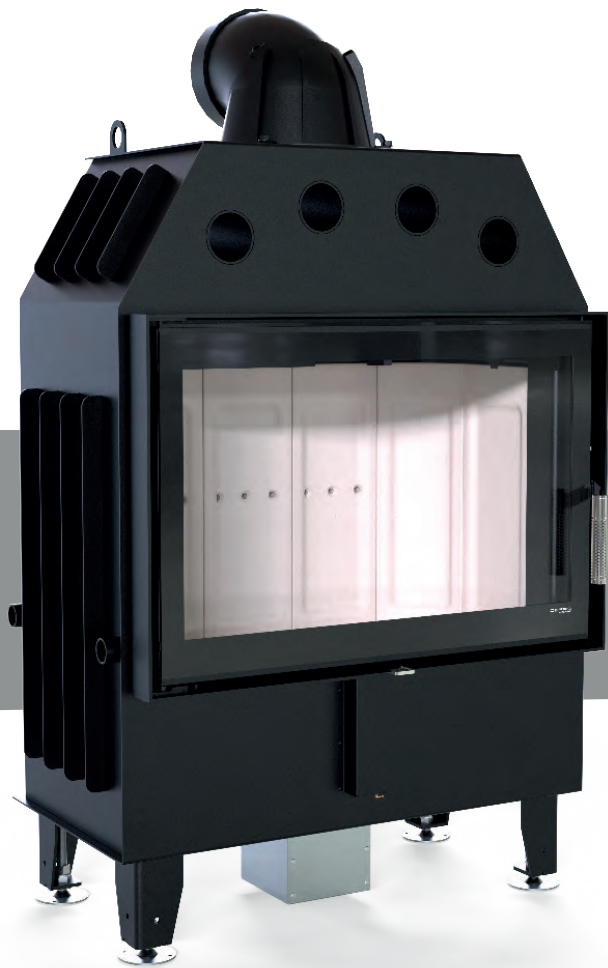
1 YEAR
WARRANTY



Foot adjustment range from 0 to 100 mm.

nominal power	13 kW
flue diameter	200 mm
efficiency	80 %
heated area ¹	130-185 m²
CO emission - 13% O₂	0,06 %
flue gas temperature	261°C
chimney draught	12±2 Pa
maximum log length	700 mm
air intake diameter	125 mm
guarantee	5 years
weight	~235 kg
net price	1 312 €

1. Maximum area of heated rooms estimated for unit heat demand in the range of 70 to 100 W/m² and rooms for standard 2,5m height. The given values have been calculated for the minimum power of 30% and maximum power of 100%.



DEFRO HOME PRIMA ME

BIMSCHV **2**
stufe

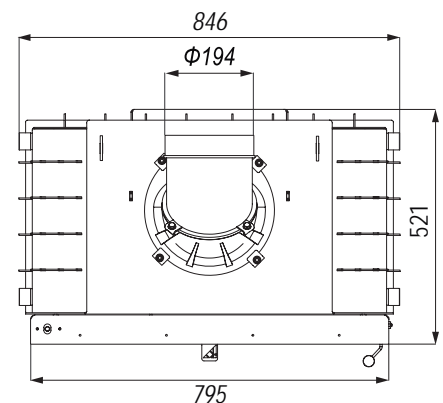
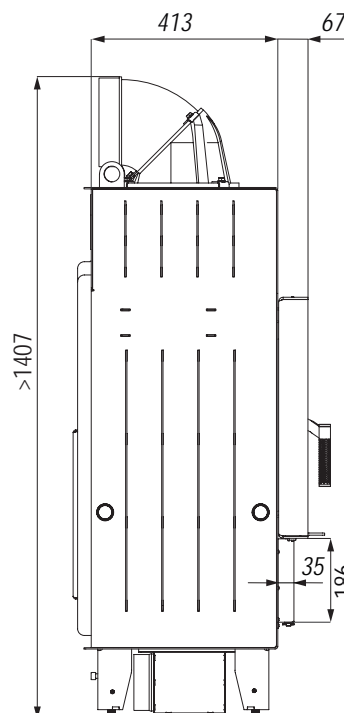
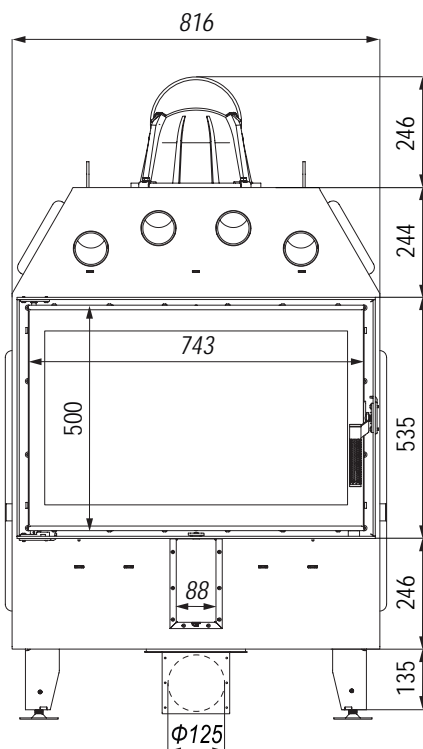


5 YEARS
WARRANTY

2 YEARS
WARRANTY

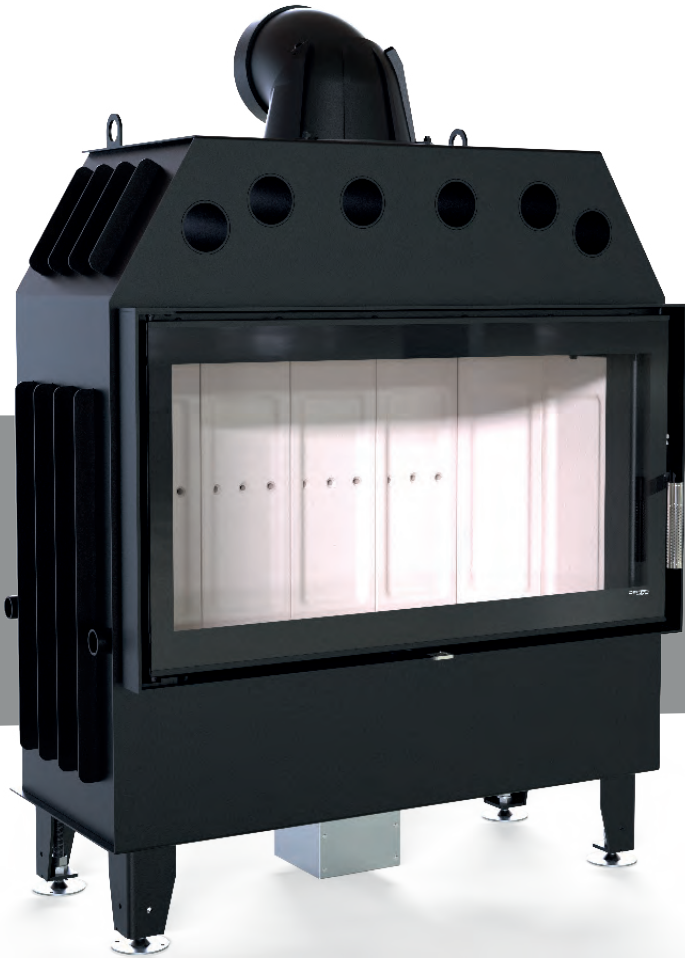
1 YEAR
WARRANTY

1 YEAR
WARRANTY



Foot adjustment range from 0 to 100 mm.

nominal power	16 kW
flue diameter	200 mm
efficiency	80,1 %
heated area ¹	160-230 m²
CO emimision - 13% O₂	0,07 %
flue gas temperature	269°C
chimney draught	12±2 Pa
maximum log length	850 mm
air intake diameter	125 mm
guarantee	5 years
weight	~268 kg
net price	1 424 €



DEFRO HOME PRIMA LA

1. Maximum area of heated rooms estimated for unit heat demand in the range of 70 to 100 W/m² and rooms for standard 2,5m height. The given values have been calculated for the minimum power of 30% and maximum power of 100%.

BIMSCHV
stufe **2**

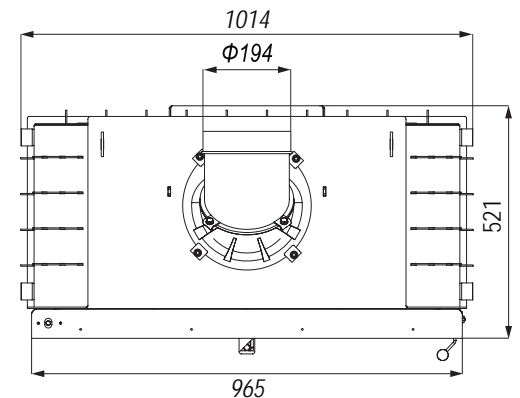
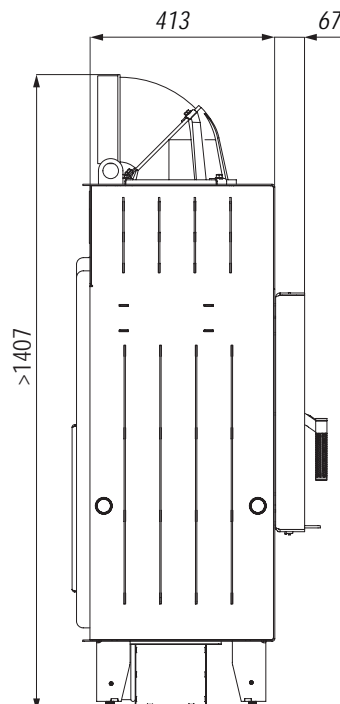
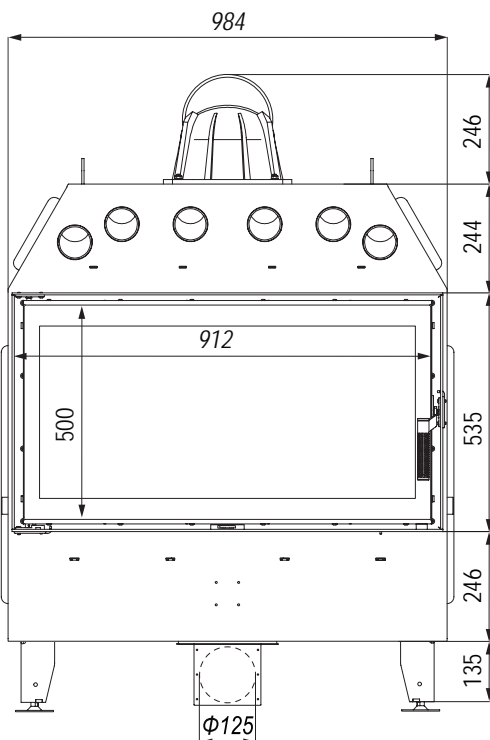


5 YEARS
WARRANTY

2 YEARS
WARRANTY

1 YEAR
WARRANTY

1 YEAR
WARRANTY



Foot adjustment range from 0 to 100 mm.

nominal power	10 kW
flue diameter	200 mm
efficiency	80,1 %
heated area ¹	100-140 m²
CO emission - 13% O₂	0,07 %
flue gas temperature	267°C
chimney draught	12±2 Pa
maximum log length	500 mm
air intake diameter	125 mm
guarantee	5 years
weight	~174 kg
net price	1 285 €

1. Maximum area of heated rooms estimated for unit heat demand in the range of 70 to 100 W/m² and rooms for standard 2,5m height. The given values have been calculated for the minimum power of 30% and maximum power of 100%.



DEFRO HOME PRIMA SM BP MINI

BIMSCHV
stufe **2**

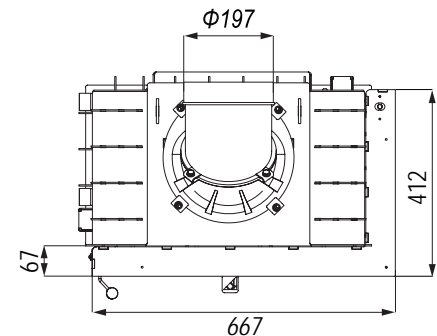
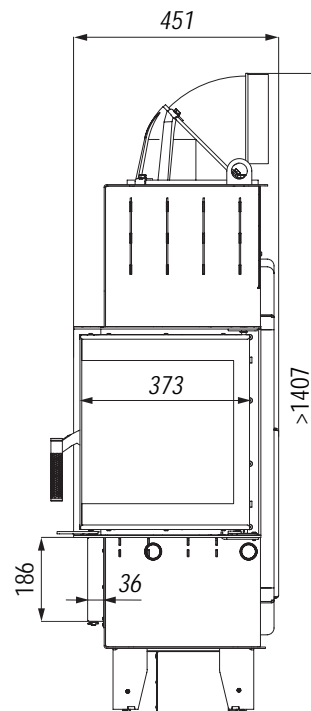
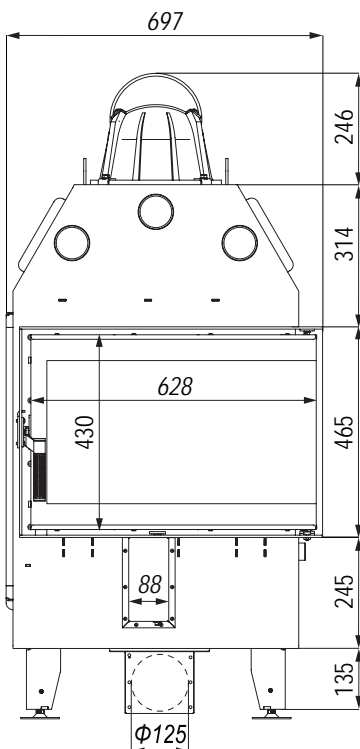


5 YEARS
WARRANTY

2 YEARS
WARRANTY

1 YEAR
WARRANTY

1 YEAR
WARRANTY



Foot adjustment range from 0 to 100 mm.

nominal power	10 kW
flue diameter	200 mm
efficiency	80,1 %
heated area ¹	100-140 m²
CO emission - 13% O₂	0,07 %
flue gas temperature	267°C
chimney draught	12±2 Pa
maximum log length	500 mm
air intake diameter	125 mm
guarantee	5 years
weight	~202 kg
net price	1 340 €

1. Maximum area of heated rooms estimated for unit heat demand in the range of 70 to 100 W/m² and rooms for standard 2,5m height. The given values have been calculated for the minimum power of 30% and maximum power of 100%.



DEFRO HOME PRIMA SM BP

BIMSCHV
stufe 2

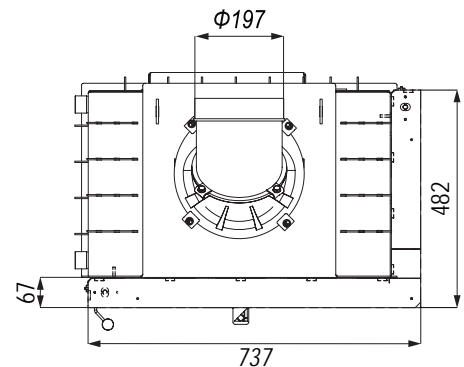
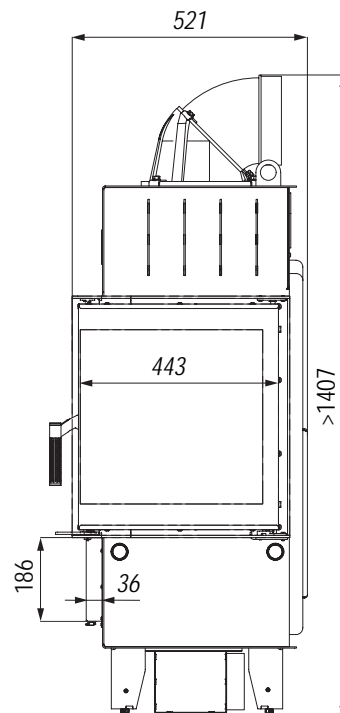
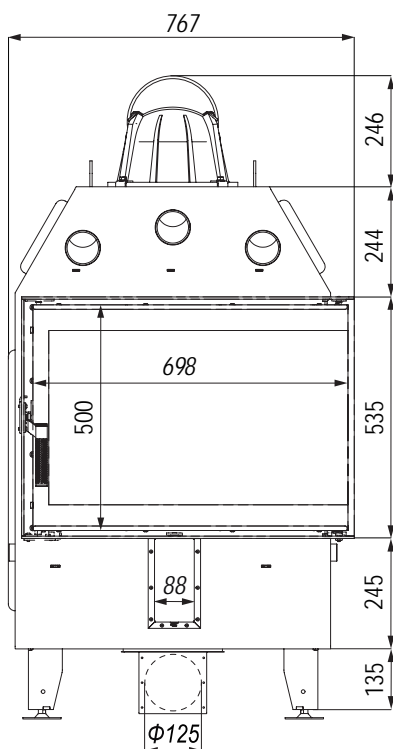


5 YEARS
WARRANTY

2 YEARS
WARRANTY

1 YEAR
WARRANTY

1 YEAR
WARRANTY



Foot adjustment range from 0 to 100 mm.

nominal power	13 kW
flue diameter	200 mm
efficiency	80 %
heated area ¹	130-185 m²
CO emission - 13% O₂	0,06 %
flue gas temperature	261°C
chimney draught	12±2 Pa
maximum log length	680 mm
air intake diameter	125 mm
guarantee	5 years
weight	~238 kg
net price	1 480 €



1. Maximum area of heated rooms estimated for unit heat demand in the range of 70 to 100 W/m² and rooms for standard 2,5m height. The given values have been calculated for the minimum power of 30% and maximum power of 100%.

DEFRO HOME PRIMA ME BP

BIMSCHV
stufe 2

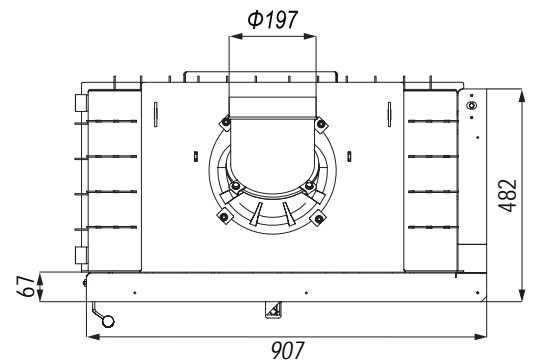
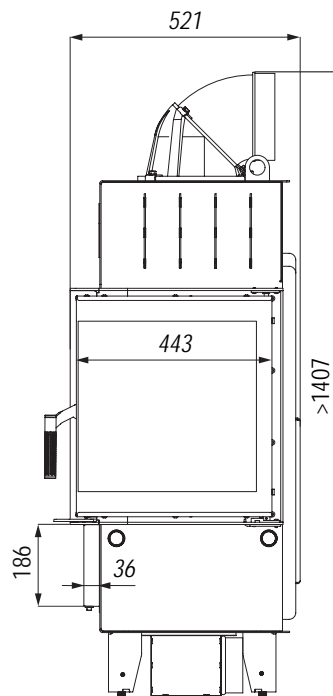
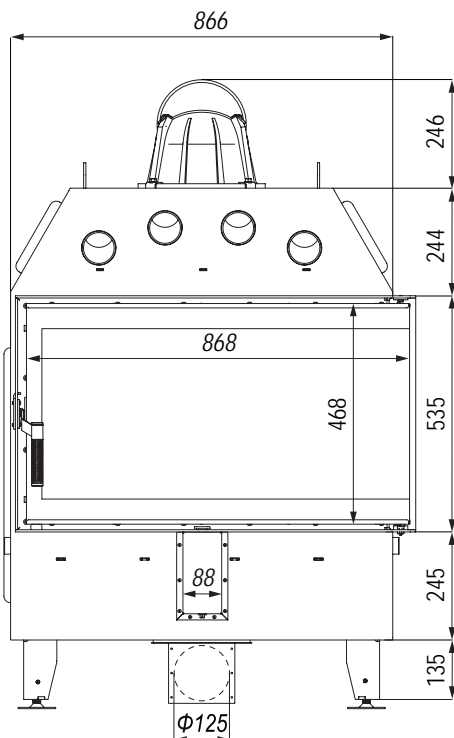


5 YEARS
WARRANTY

2 YEARS
WARRANTY

1 YEAR
WARRANTY

1 YEAR
WARRANTY



Foot adjustment range from 0 to 100 mm.

nominal power	10 kW
flue diameter	200 mm
efficiency	80,1 %
heated area ¹	100-140 m²
CO emission - 13% O₂	0,07 %
flue gas temperature	267°C
chimney draught	12±2 Pa
maximum log length	500 mm
air intake diameter	125 mm
guarantee	5 years
weight	~174 kg
net price	1 285 €

1. Maximum area of heated rooms estimated for unit heat demand in the range of 70 to 100 W/m² and rooms for standard 2,5m height. The given values have been calculated for the minimum power of 30% and maximum power of 100%.



DEFRO HOME PRIMA SM BL MINI

BIMSCHV
stufe 2

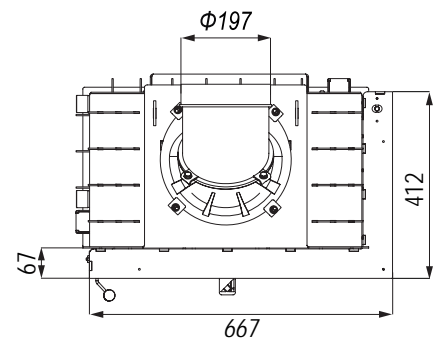
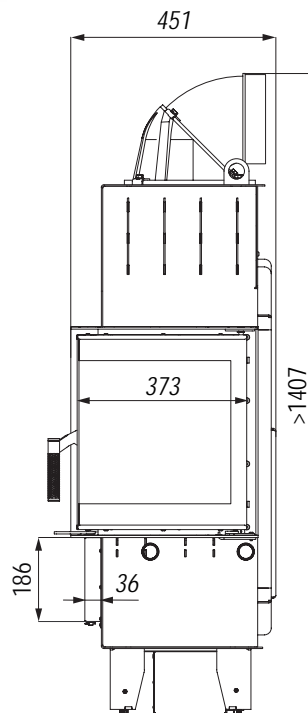
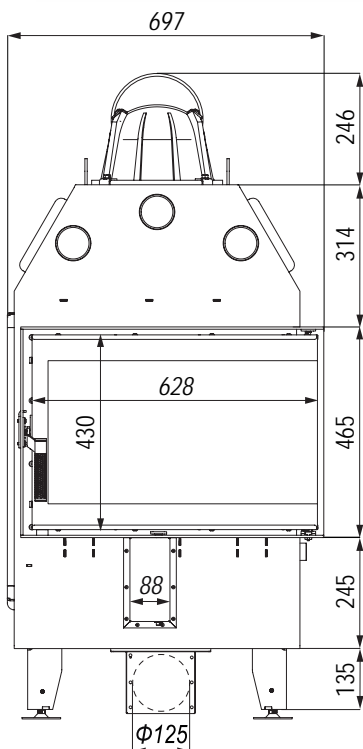


5 YEARS
WARRANTY

2 YEARS
WARRANTY

1 YEAR
WARRANTY

1 YEAR
WARRANTY



dimensions presented on the basis of: 
DEFRO HOME PRIMA SM BP MINI

Foot adjustment range from 0 to 100 mm.

nominal power	10 kW
flue diameter	200 mm
efficiency	80,1 %
heated area ¹	100-140 m²
CO emission - 13% O₂	0,07 %
flue gas temperature	267°C
chimney draught	12±2 Pa
maximum log length	500 mm
air intake diameter	125 mm
guarantee	5 years
weight	~202 kg
net price	1 340 €

1. Maximal area of heated rooms estimated for unit heat demand in the range of 70 to 100 W/m² and rooms for standard 2,5m height. The given values have been calculated for the minimum power of 30% and maximum power of 100%.



DEFRO HOME PRIMA SM BL

BIMSCHV
stufe 2

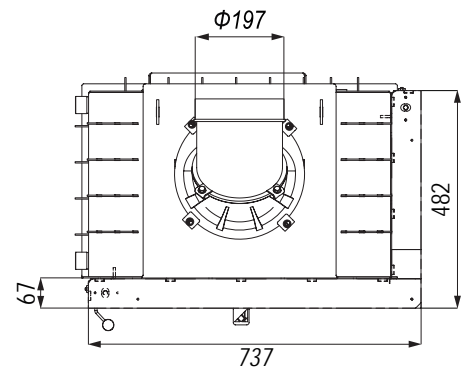
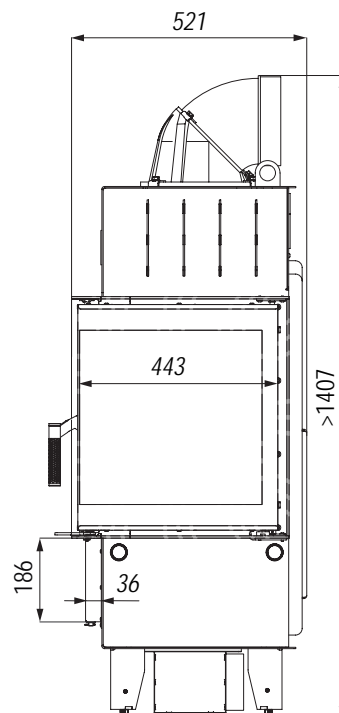
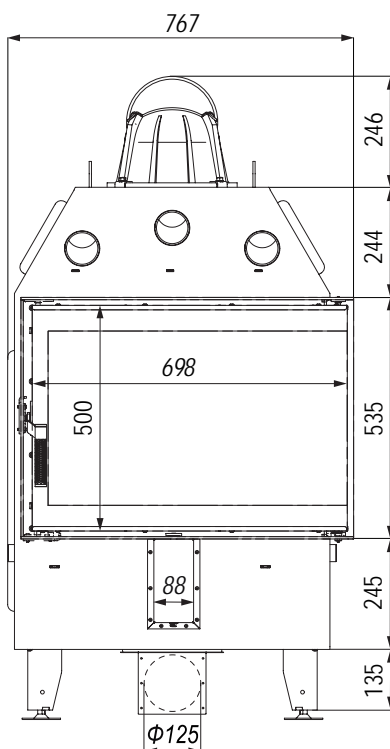


5 YEARS
WARRANTY

2 CERAMITON
YEARS
WARRANTY

1 GRATE
YEAR
WARRANTY

1 DEFLECTOR
YEAR
WARRANTY



dimensions presented on the basis of: 
DEFRO HOME PRIMA SM BP

Foot adjustment range from 0 to 100 mm.

nominal power	13 kW
flue diameter	200 mm
efficiency	80 %
heated area ¹	130-185 m²
CO emission - 13% O₂	0,06 %
flue gas temperature	261°C
chimney draught	12±2 Pa
maximum log length	680 mm
air intake diameter	125 mm
guarantee	5 years
weight	~230 kg
net price	1 480 €

1. Maximum area of heated rooms estimated for unit heat demand in the range of 70 to 100 W/m² and rooms for standard 2,5m height. The given values have been calculated for the minimum power of 30% and maximum power of 100%.



DEFRO HOME PRIMA ME BL

BIMSCHV
stufe **2**

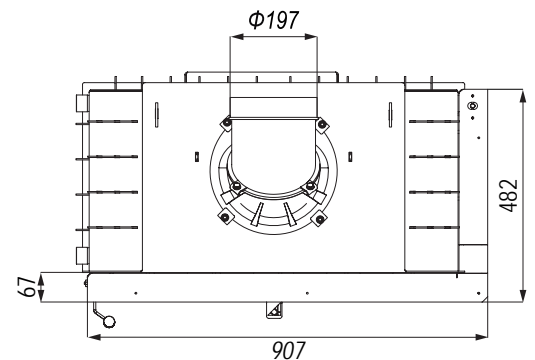
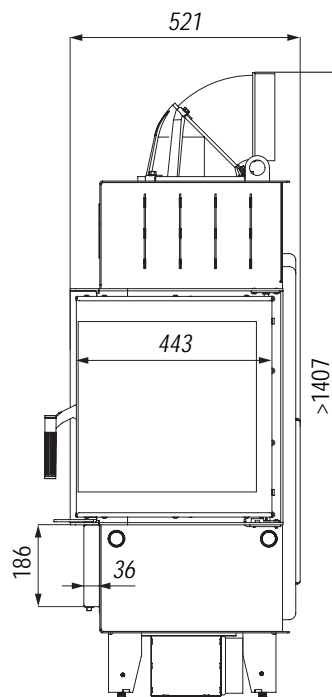
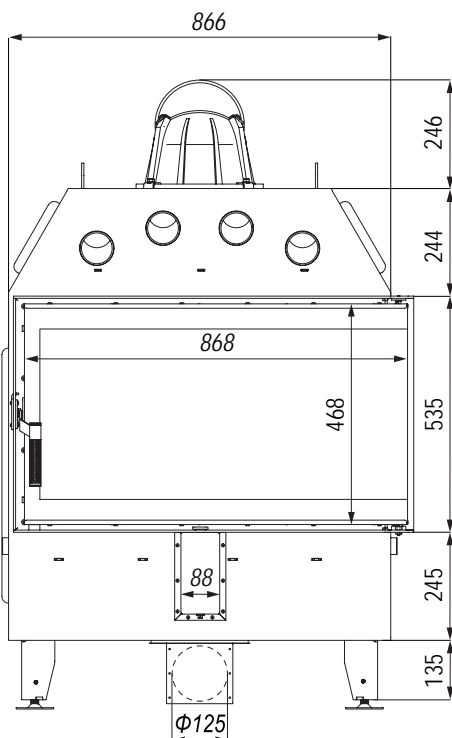


5 YEARS
WARRANTY

2 YEARS
WARRANTY

1 YEAR
WARRANTY

1 YEAR
WARRANTY



dimensions presented on the basis of: 
DEFRO HOME PRIMA ME BP

Foot adjustment range from 0 to 100 mm.

nominal power	10 kW
flue diameter	200 mm
efficiency	80,1 %
heated area ¹	100-140 m²
CO emission - 13% O₂	0,07 %
flue gas temperature	267°C
chimney draught	12±2 Pa
maximum log length	500 mm
air intake diameter	125 mm
guarantee	5 years
weight	~245 kg
net price	1 920 €

1. Maximum area of heated rooms estimated for unit heat demand in the range of 70 to 100 W/m² and rooms for standard 2,5m height. The given values have been calculated for the minimum power of 30% and maximum power of 100%.



DEFRO HOME PRIMA SM G

BIMSCHV
stufe **2**

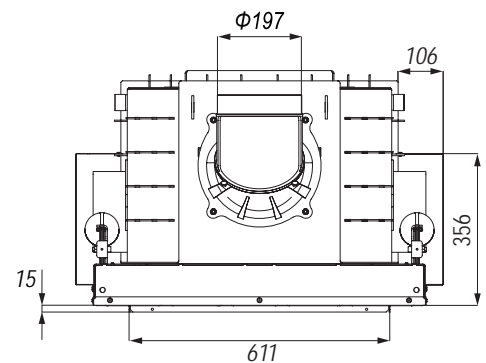
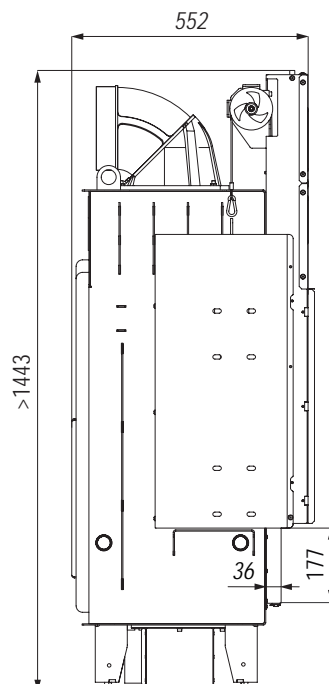
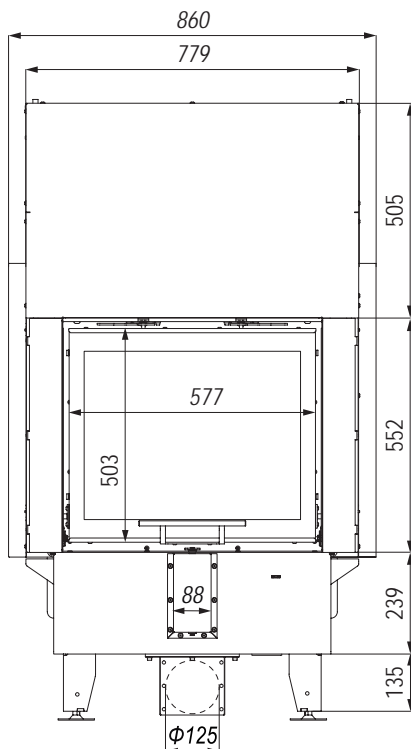


5 YEARS
WARRANTY

2 YEARS
WARRANTY

1 YEAR
WARRANTY

1 YEAR
WARRANTY



Foot adjustment range from 0 to 100 mm.

nominal power	13 kW
flue diameter	200 mm
efficiency	80 %
heated area ¹	130-185 m²
CO emimision - 13% O₂	0,06 %
flue gas temperature	261°C
chimney draught	12±2 Pa
maximum log length	700 mm
air intake diameter	125 mm
guarantee	5 years
weight	~281 kg
net price	2 057 €

1. Maximum area of heated rooms estimated for unit heat demand in the range of 70 to 100 W/m² and rooms for standard 2,5m height. The given values have been calculated for the minimum power of 30% and maximum power of 100%.



DEFRO HOME PRIMA ME G

BIMSCHV
stufe **2**

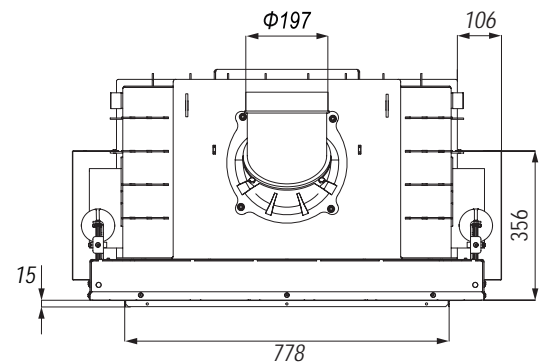
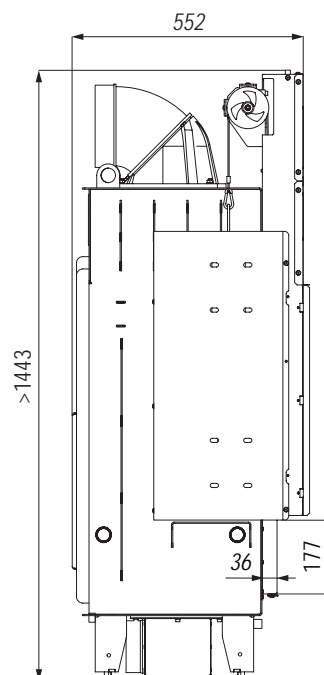
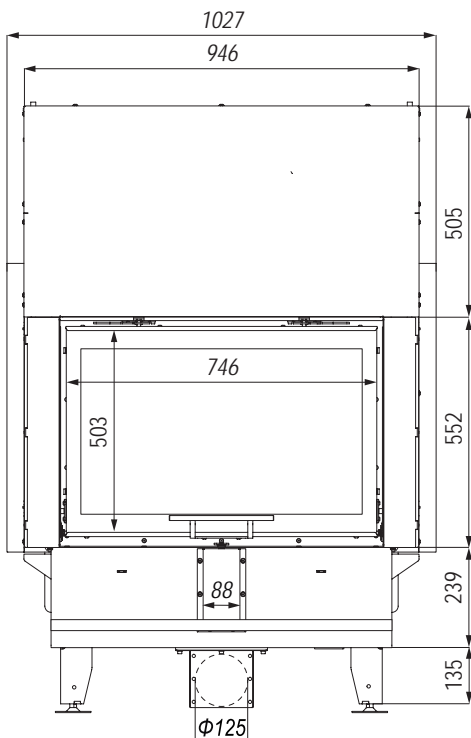


5 YEARS
WARRANTY

2 YEARS
WARRANTY

1 YEAR
WARRANTY

1 YEAR
WARRANTY



Foot adjustment range from 0 to 100 mm.

nominal power	16 kW
flue diameter	200 mm
efficiency	80,1 %
heated area ¹	160-230 m²
CO emission - 13% O₂	0,07 %
flue gas temperature	269°C
chimney draught	12±2 Pa
maximum log length	850 mm
air intake diameter	125 mm
guarantee	5 years
weight	~318 kg
net price	2 276 €

1. Maximum area of heated rooms estimated for unit heat demand in the range of 70 to 100 W/m² and rooms for standard 2,5m height. The given values have been calculated for the minimum power of 30% and maximum power of 100%.



DEFRO HOME PRIMA LA G

BIMSCHV
stufe **2**

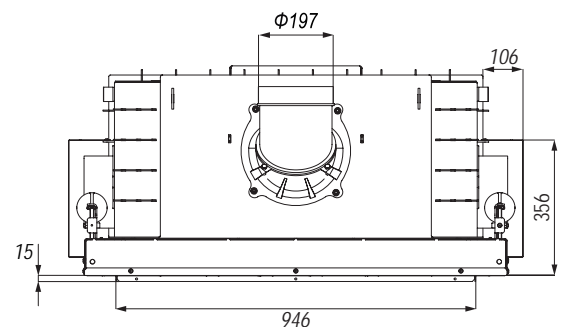
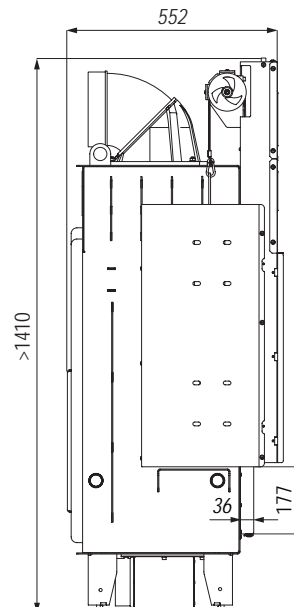
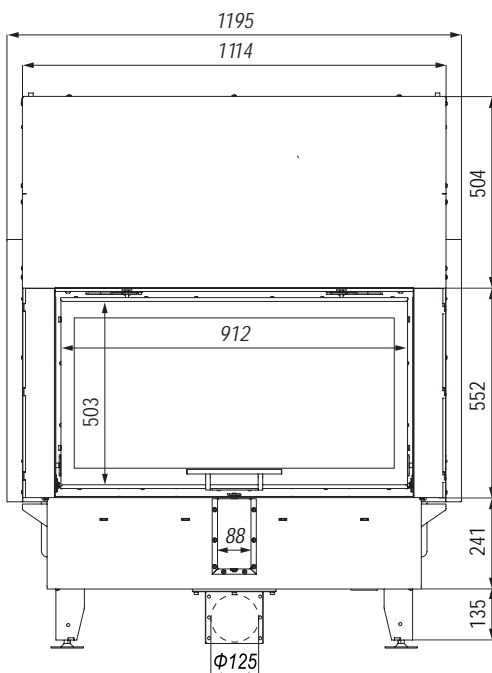


5 YEARS
WARRANTY

2 YEARS
WARRANTY

1 YEAR
WARRANTY

1 YEAR
WARRANTY



Foot adjustment range from 0 to 100 mm.

nominal power	10 kW
flue diameter	200 mm
efficiency	80,1 %
heated area ¹	100-140 m²
CO emission - 13% O₂	0,07 %
flue gas temperature	267°C
chimney draught	12±2 Pa
maximum log length	500 mm
air intake diameter	125 mm
guarantee	5 years
weight	~235 kg
net price	2 057 €



DEFRO HOME PRIMA SM BP MINI G

1. Maximum area of heated rooms estimated for unit heat demand in the range of 70 to 100 W/m² and rooms for standard 2,5m height. The given values have been calculated for the minimum power of 30% and maximum power of 100%.

BIMSCHV
stufe 2

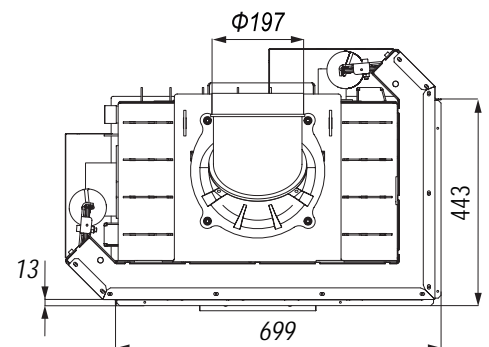
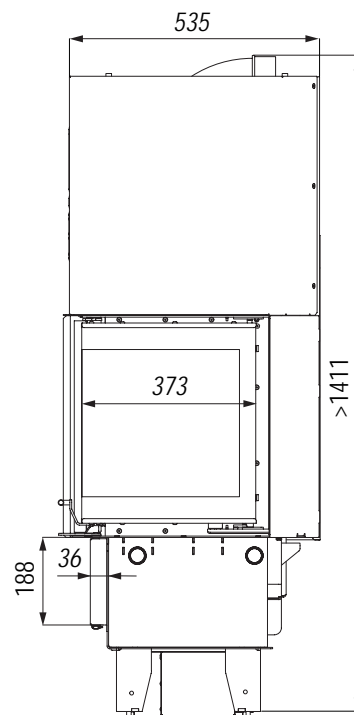
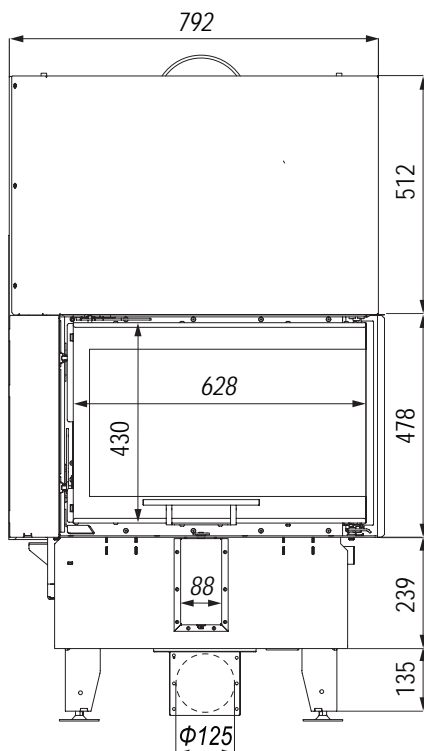


5 YEARS
WARRANTY

2 YEARS
WARRANTY

1 YEAR
WARRANTY

1 YEAR
WARRANTY



Foot adjustment range from 0 to 100 mm.

nominal power	10 kW
flue diameter	200 mm
efficiency	80,1 %
heated area ¹	100-140 m²
CO emission - 13% O₂	0,07 %
flue gas temperature	267°C
chimney draught	12±2 Pa
maximum log length	500 mm
air intake diameter	125 mm
guarantee	5 years
weight	~264 kg
net price	2 112 €

1. Maximum area of heated rooms estimated for unit heat demand in the range of 70 to 100 W/m² and rooms for standard 2,5m height. The given values have been calculated for the minimum power of 30% and maximum power of 100%.



DEFRO HOME PRIMA SM BP G

BIMSCHV
stufe 2

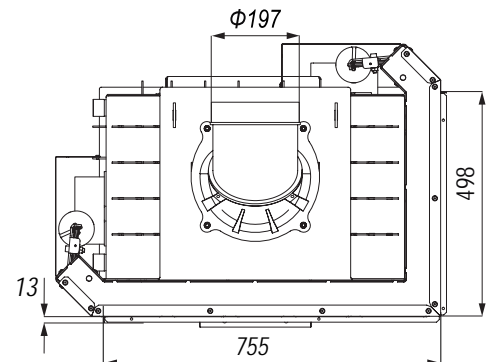
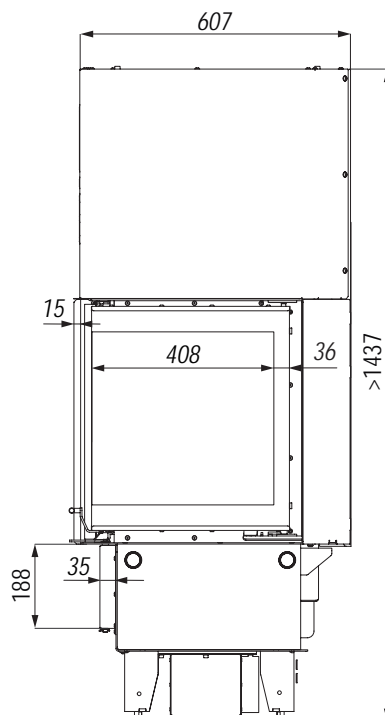
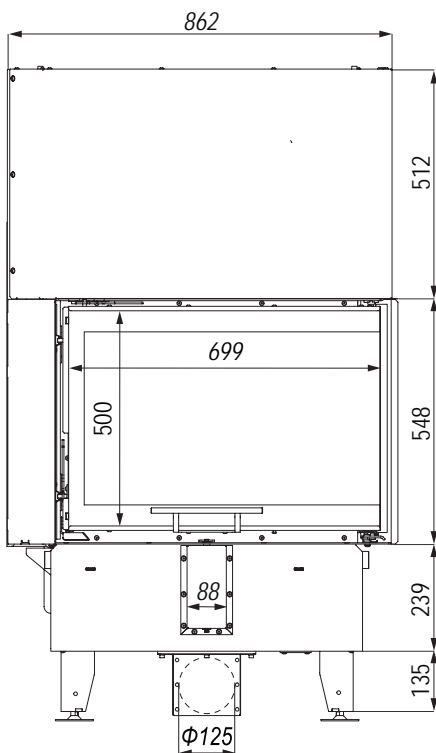


5 YEARS
WARRANTY

2 YEARS
WARRANTY

1 YEAR
WARRANTY

1 YEAR
WARRANTY



Foot adjustment range from 0 to 100 mm.

nominal power	13 kW
flue diameter	200 mm
efficiency	80 %
heated area ¹	130-185 m²
CO emission - 13% O₂	0,06 %
flue gas temperature	261°C
chimney draught	12±2 Pa
maximum log length	680 mm
air intake diameter	125 mm
guarantee	5 years
weight	~306 kg
net price	2 304 €



DEFRO HOME PRIMA ME BP G

1. Maximum area of heated rooms estimated for unit heat demand in the range of 70 to 100 W/m² and rooms for standard 2,5m height. The given values have been calculated for the minimum power of 30% and maximum power of 100%.

BIMSCHV
stufe 2

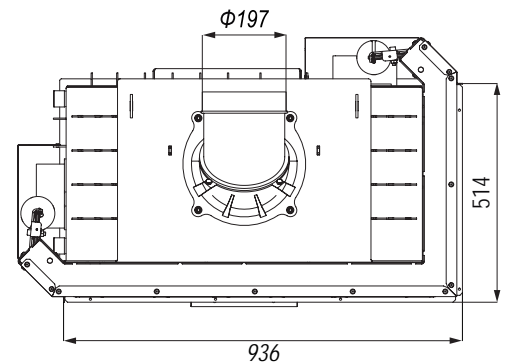
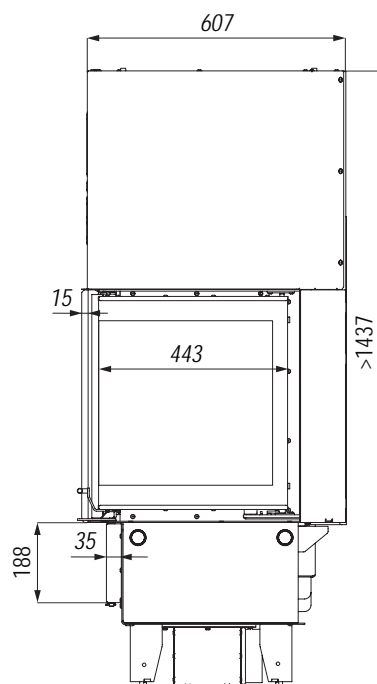
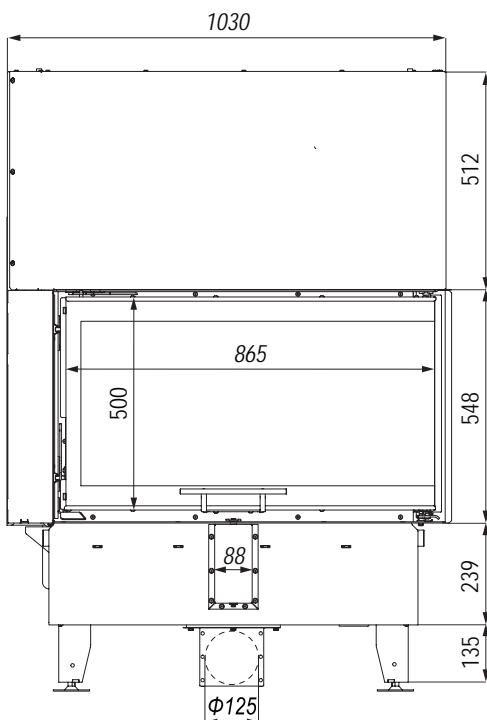


5 YEARS
WARRANTY

2 YEARS
WARRANTY

1 YEAR
WARRANTY

1 YEAR
WARRANTY



Foot adjustment range from 0 to 100 mm.

nominal power	10 kW
flue diameter	200 mm
efficiency	80,1 %
heated area ¹	100-140 m²
CO emission - 13% O₂	0,07 %
flue gas temperature	267°C
chimney draught	12±2 Pa
maximum log length	500 mm
air intake diameter	125 mm
guarantee	5 years
weight	~235 kg
net price	2 057 €

1. Maximum area of heated rooms estimated for unit heat demand in the range of 70 to 100 W/m² and rooms for standard 2,5m height. The given values have been calculated for the minimum power of 30% and maximum power of 100%.



DEFRO HOME PRIMA SM BL MINI G

BIMSCHV
stufe **2**

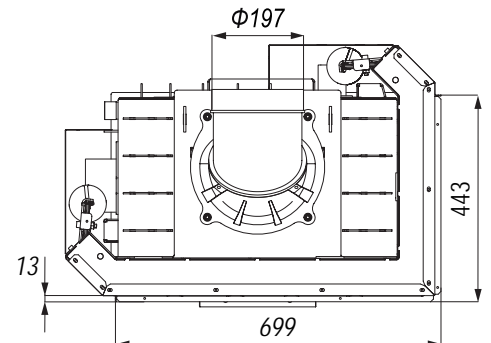
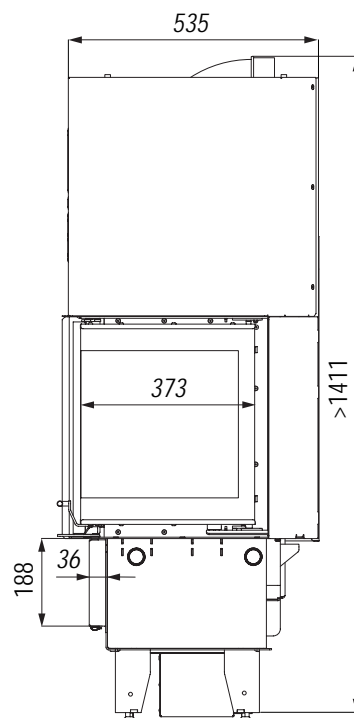
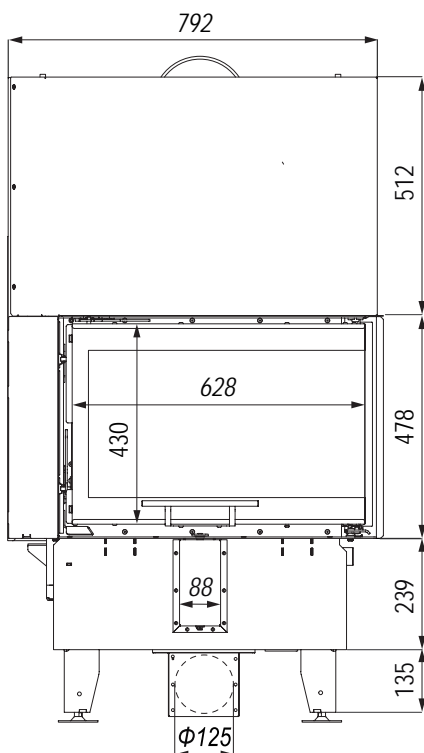


5 YEARS
WARRANTY

2 YEARS
WARRANTY

1 YEAR
WARRANTY

1 YEAR
WARRANTY



dimensions presented on the basis of: 
DEFRO HOME PRIMA SM BP MINI G

Foot adjustment range from 0 to 100 mm.

nominal power	10 kW
flue diameter	200 mm
efficiency	80,1 %
heated area ¹	100-140 m²
CO emimision - 13% O₂	0,07 %
flue gas temperature	267°C
chimney draught	12±2 Pa
maximum log length	500 mm
air intake diameter	125 mm
guarantee	5 years
weight	~264 kg
net price	2 112 €

1. Maximum area of heated rooms estimated for unit heat demand in the range of 70 to 100 W/m² and rooms for standard 2,5m height. The given values have been calculated for the minimum power of 30% and maximum power of 100%.



DEFRO HOME PRIMA SM BL G

BIMSCHV
stufe 2

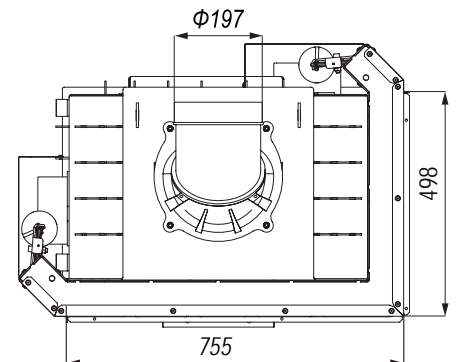
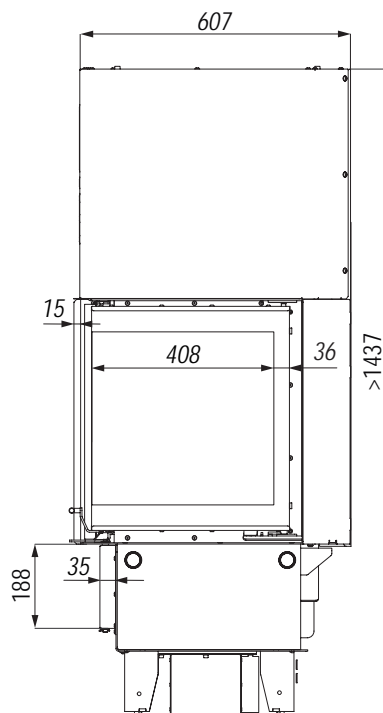
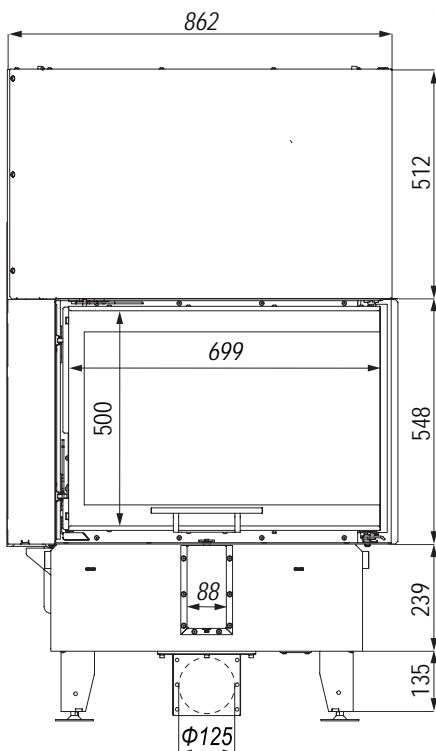


5 YEARS
WARRANTY

2 YEARS
WARRANTY

1 YEAR
WARRANTY

1 YEAR
WARRANTY



dimensions presented on the basis of: 
DEFRO HOME PRIMA SM BP G

Foot adjustment range from 0 to 100 mm.

nominal power	13 kW
flue diameter	200 mm
efficiency	80 %
heated area ¹	130-185 m²
CO emission - 13% O₂	0,06 %
flue gas temperature	261°C
chimney draught	12±2 Pa
maximum log length	680 mm
air intake diameter	125 mm
guarantee	5 years
weight	~306 kg
net price	2 304 €

1. Maximum area of heated rooms estimated for unit heat demand in the range of 70 to 100 W/m² and rooms for standard 2,5m height. The given values have been calculated for the minimum power of 30% and maximum power of 100%.



DEFRO HOME PRIMA ME BL G

BIMSCHV
stufe 2

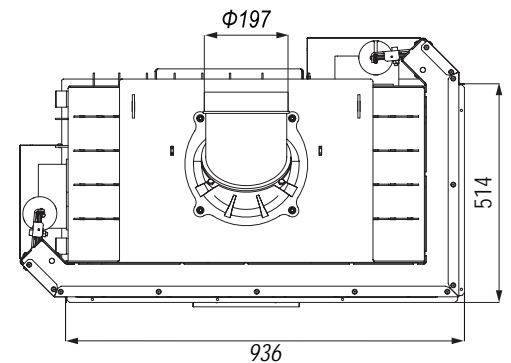
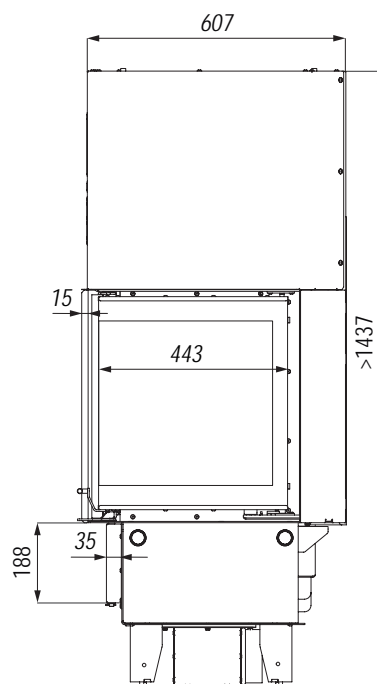
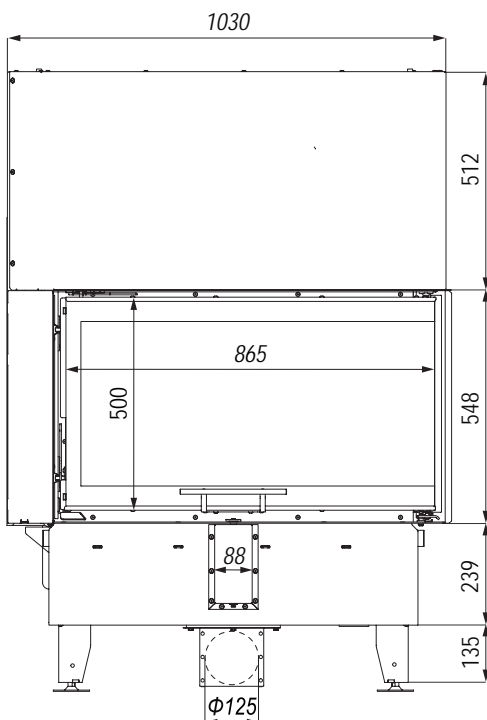


5 YEARS
WARRANTY

2 CERAMITON
YEARS
WARRANTY

1 GRATE
YEAR
WARRANTY

1 DEFLECTOR
YEAR
WARRANTY



dimensions presented on the basis of: 
DEFRO HOME PRIMA ME BP G

Foot adjustment range from 0 to 100 mm.

nominal power	10 kW
flue diameter	200 mm
efficiency	80,1 %
heated area ¹	100-140 m²
CO emission - 13% O₂	0,07 %
flue gas temperature	267°C
chimney draught	12±2 Pa
maximum log length	500 mm
air intake diameter	125 mm
guarantee	5 years
weight	~185 kg
net price	1 535 €

1. Maximum area of heated rooms estimated for unit heat demand in the range of 70 to 100 W/m² and rooms for standard 2,5m height. The given values have been calculated for the minimum power of 30% and maximum power of 100%.



DEFRO HOME PRIMA SM T

BIMSCHV stufe 2

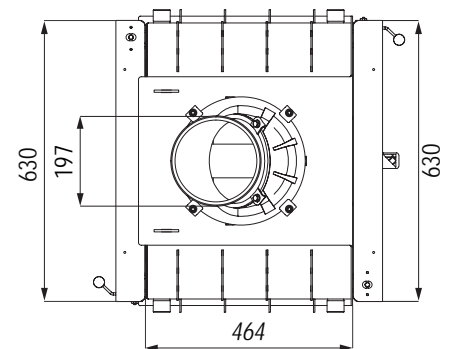
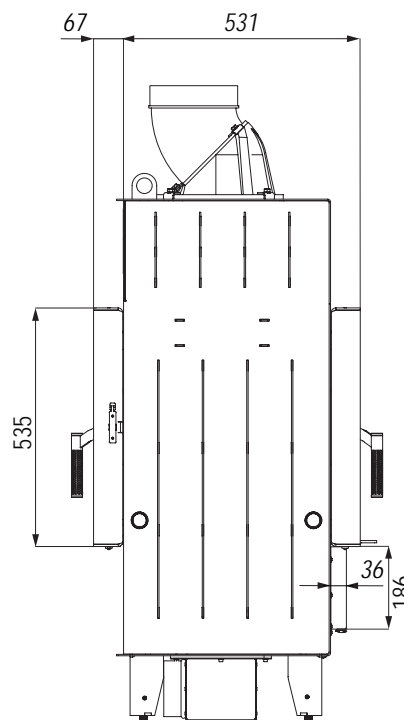
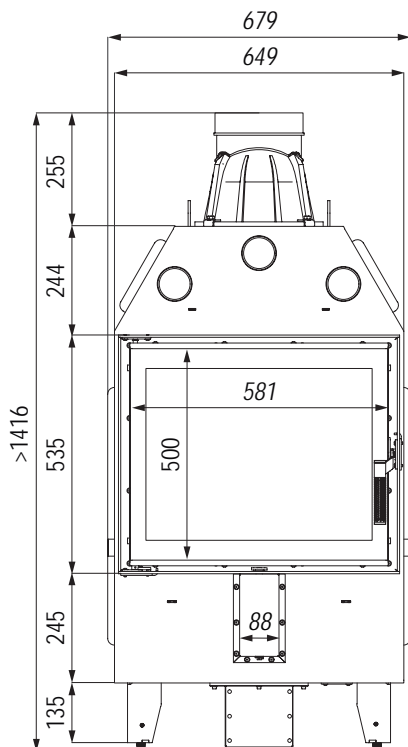


5 YEARS WARRANTY

2 CERAMITON YEARS WARRANTY

1 GRATE YEAR WARRANTY

1 DEFLECTOR YEAR WARRANTY



Foot adjustment range from 0 to 100 mm.

nominal power	13 kW
flue diameter	200 mm
efficiency	80 %
heated area ¹	130-185 m²
CO emission - 13% O₂	0,06 %
flue gas temperature	261°C
chimney draught	12±2 Pa
maximum log length	700 mm
air intake diameter	125 mm
guarantee	5 years
weight	~231 kg
net price	1 686 €

1. Maximum area of heated rooms estimated for unit heat demand in the range of 70 to 100 W/m² and rooms for standard 2,5m height. The given values have been calculated for the minimum power of 30% and maximum power of 100%.



DEFRO HOME PRIMA MET

BIMSCHV
stufe 2

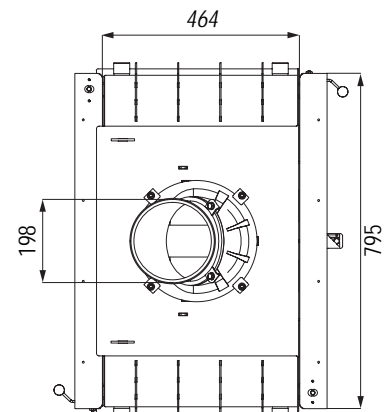
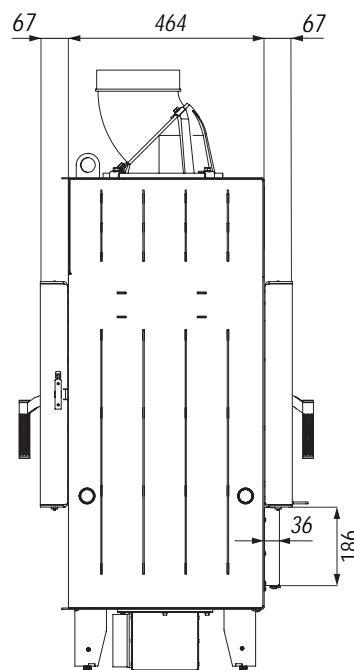
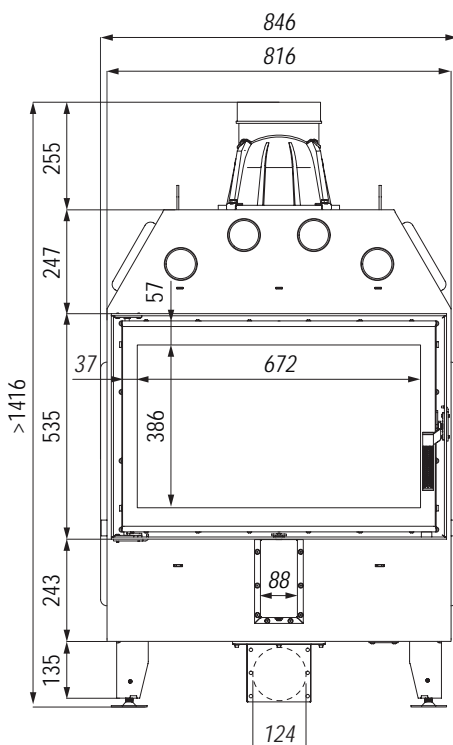


5 YEARS
WARRANTY

2 CERAMITON
YEARS
WARRANTY

1 GRATE
YEAR
WARRANTY

1 DEFLECTOR
YEAR
WARRANTY



Foot adjustment range from 0 to 100 mm.

nominal power	16 kW
flue diameter	200 mm
efficiency	80,1 %
heated area ¹	160-230 m²
CO emission - 13% O₂	0,07 %
flue gas temperature	269°C
chimney draught	12±2 Pa
maximum log length	850 mm
air intake diameter	125 mm
guarantee	5 years
weight	~263 kg
net price	1 811 €

1. Maximum area of heated rooms estimated for unit heat demand in the range of 70 to 100 W/m² and rooms for standard 2,5m height. The given values have been calculated for the minimum power of 30% and maximum power of 100%.



DEFRO HOME PRIMA LA T

BIMSCHV
stufe **2**

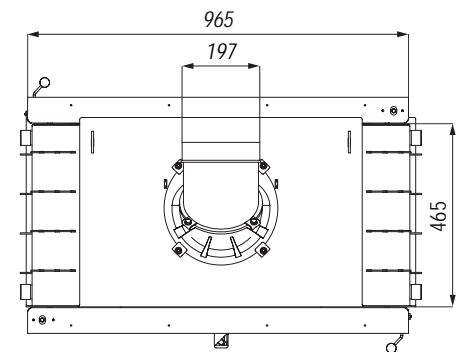
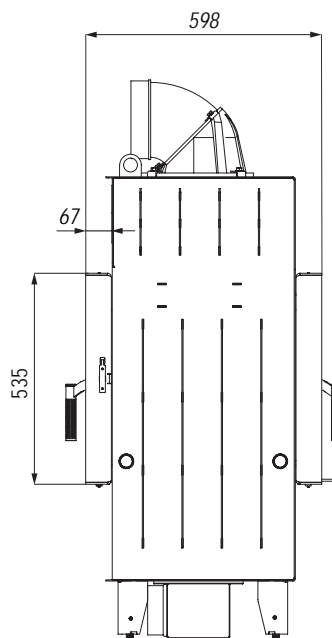
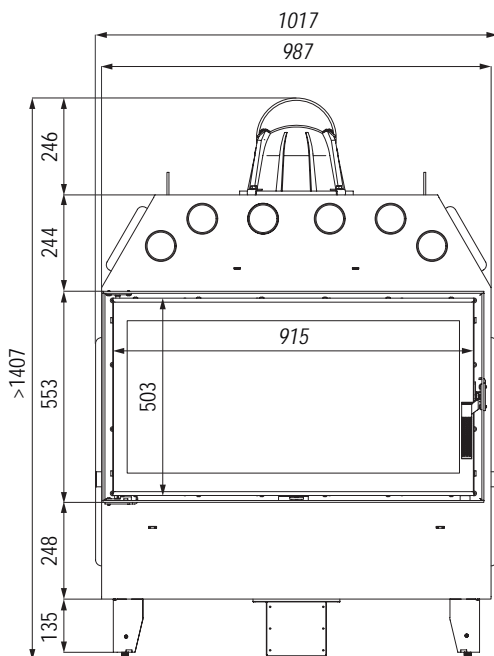


5 YEARS
WARRANTY

2 YEARS
WARRANTY

1 YEAR
WARRANTY

1 YEAR
WARRANTY



Foot adjustment range from 0 to 100 mm.

nominal power	10 kW
flue diameter	200 mm
efficiency	80,1 %
heated area ¹	100-140 m²
CO emission - 13% O₂	0,07 %
flue gas temperature	267°C
chimney draught	12±2 Pa
maximum log length	500 mm
air intake diameter	125 mm
guarantee	5 years
weight	~185 kg
net price	2 281€

1. Maximum area of heated rooms estimated for unit heat demand in the range of 70 to 100 W/m² and rooms for standard 2,5m height. The given values have been calculated for the minimum power of 30% and maximum power of 100%.



DEFRO HOME PRIMA SM T G

BIMSCHV
stufe **2**

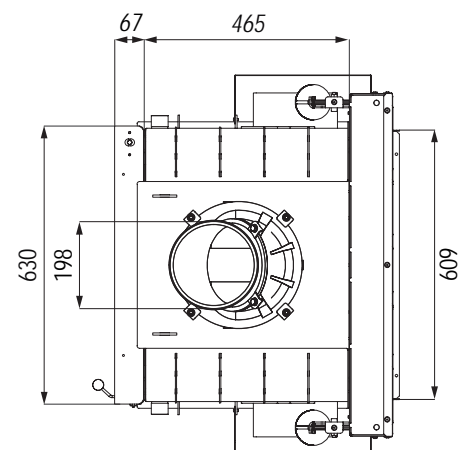
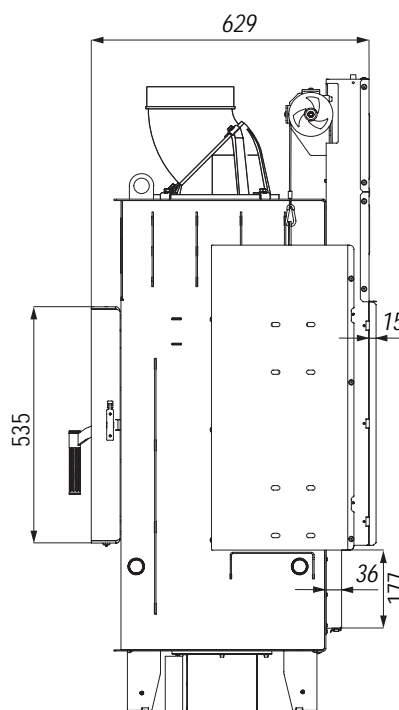
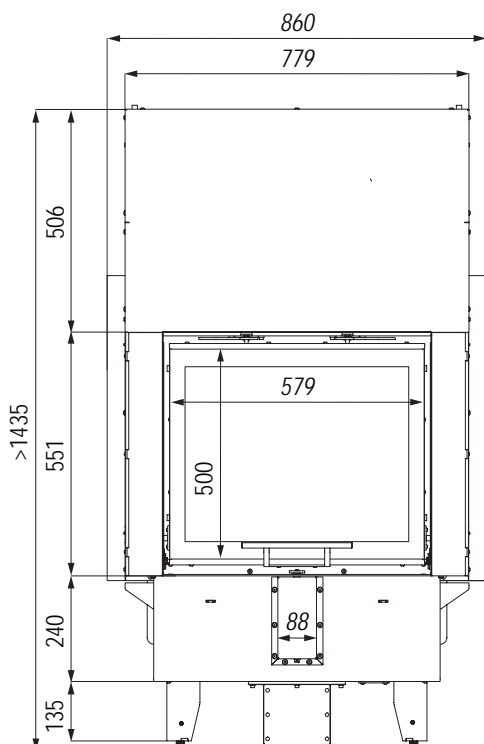


5 YEARS
WARRANTY

2 YEARS
WARRANTY

1 YEAR
WARRANTY

1 YEAR
WARRANTY



Foot adjustment range from 0 to 100 mm.

nominal power	13 kW
flue diameter	200 mm
efficiency	80 %
heated area ¹	130-185 m²
CO emission - 13% O₂	0,06 %
flue gas temperature	261°C
chimney draught	12±2 Pa
maximum log length	700 mm
air intake diameter	125 mm
guarantee	5 years
weight	~231 kg
net price	2 431 €



DEFRO HOME PRIMA MET G

1. Maximum area of heated rooms estimated for unit heat demand in the range of 70 to 100 W/m² and rooms for standard 2,5m height. The given values have been calculated for the minimum power of 30% and maximum power of 100%.

BIMSCHV
stufe **2**

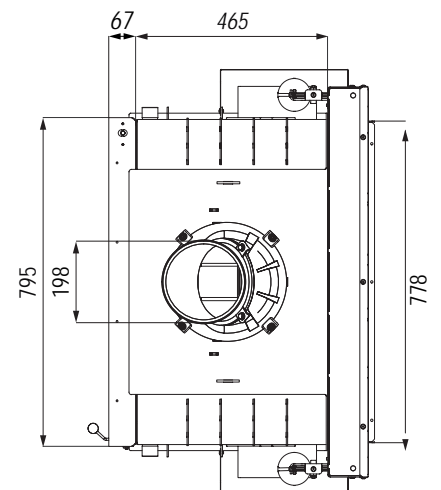
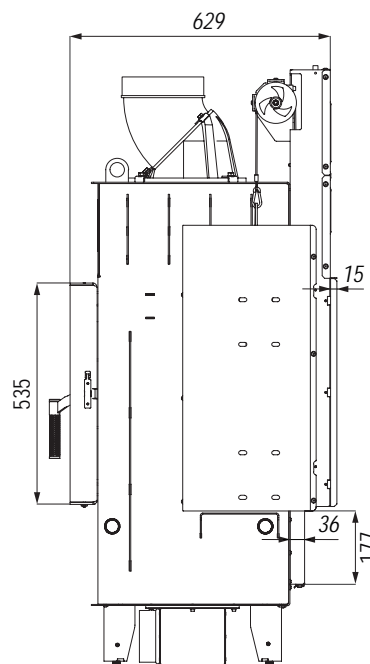
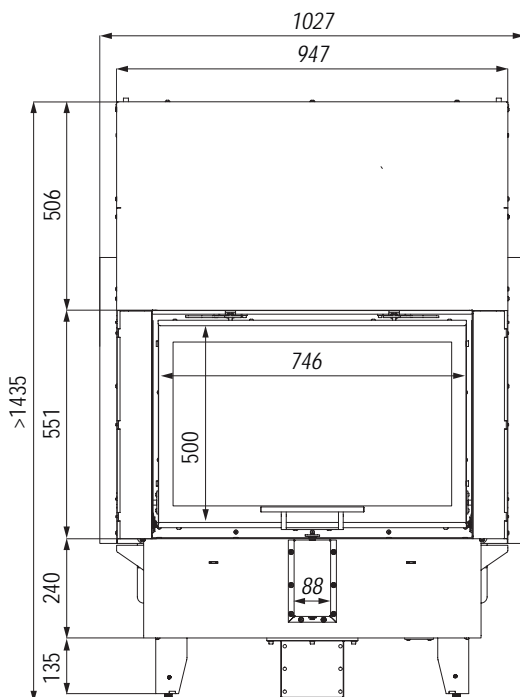


5 YEARS
WARRANTY

2 YEARS
WARRANTY

1 YEAR
WARRANTY

1 YEAR
WARRANTY



Foot adjustment range from 0 to 100 mm.

nominal power	16 kW
flue diameter	200 mm
efficiency	80,1 %
heated area ¹	160-230m²
CO emission - 13% O₂	0,0756 %
flue gas temperature	269°C
chimney draught	12±2 Pa
maximum log length	850 mm
air intake diameter	125 mm
guarantee	5 years
weight	~263 kg
net price	2 663 €



1. Maximum area of heated rooms estimated for unit heat demand in the range of 70 to 100 W/m² and rooms for standard 2,5m height. The given values have been calculated for the minimum power of 30% and maximum power of 100%.

DEFRO HOME PRIMA LA T G

BIMSCHV
stufe **2**

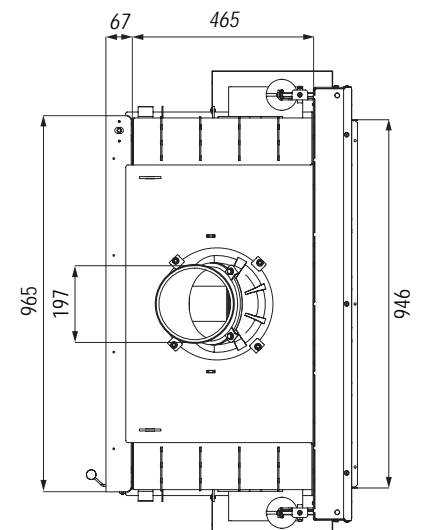
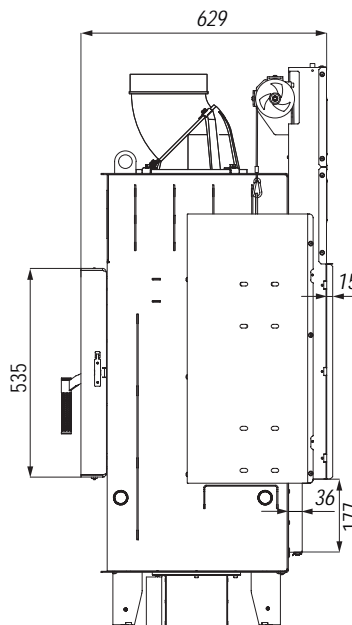
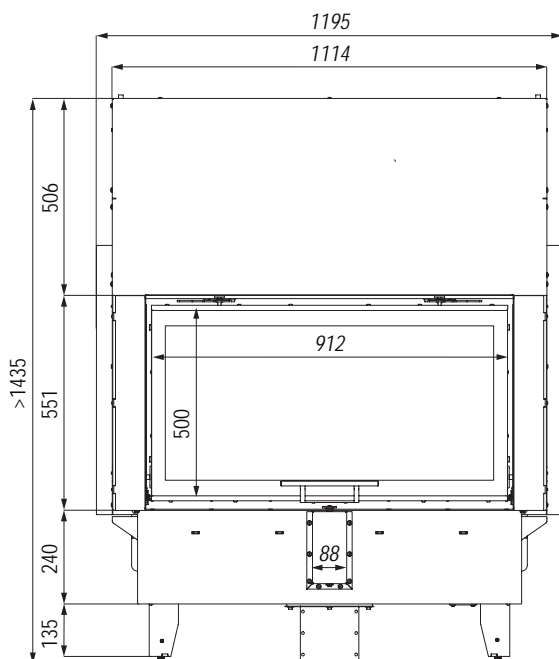


5 YEARS
WARRANTY

2 YEARS
WARRANTY

1 YEAR
WARRANTY

1 YEAR
WARRANTY



Foot adjustment range from 0 to 100 mm.

nominal power	6 kW
flue diameter	200 mm
efficiency	78 %
heated area ¹	60-85 m²
CO emision - 13% O₂	0,1 %
flue gas temperature	260°C
chimney draught	12±2 Pa
maximum log length	500 mm
air intake diameter	125 mm
guarantee	5 years
weight	~156 kg
net price	1 136 €



1. Maximum area of heated rooms estimated for unit heat demand in the range of 70 to 100 W/m² and rooms for standard 2,5m height. The given values have been calculated for the minimum power of 30% and maximum power of 100%.

INTRA SM SLIM

BIMSCHV
stufe 2

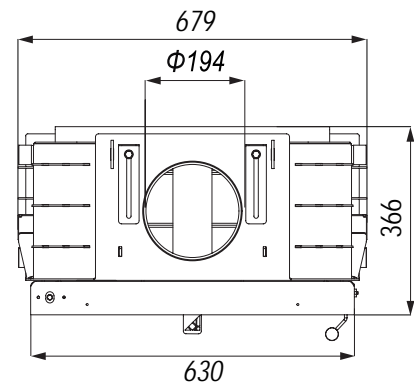
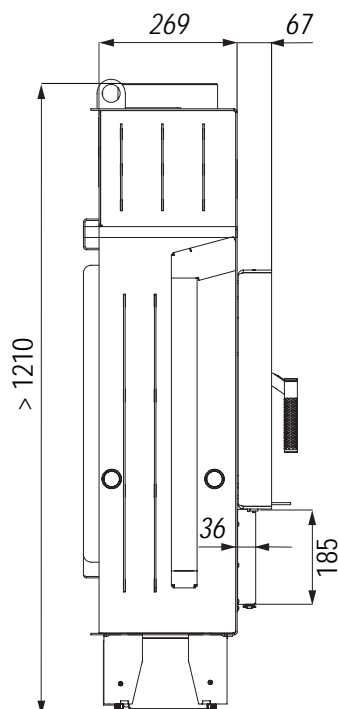
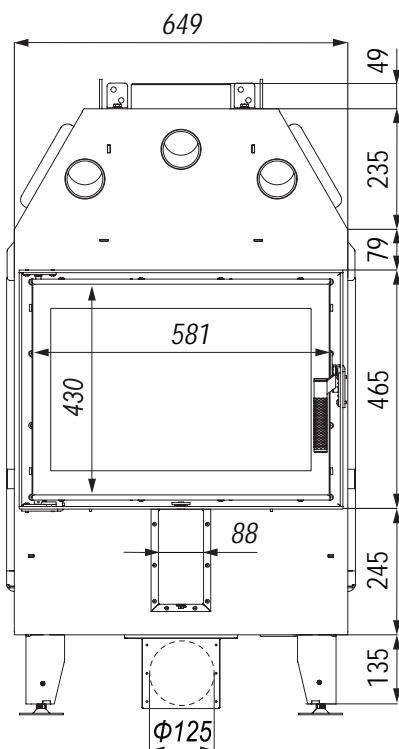


5 YEARS
WARRANTY

2 YEARS
WARRANTY

1 YEAR
WARRANTY

1 YEAR
WARRANTY



Foot adjustment range from 0 to 100 mm.

nominal power	8 kW
flue diameter	200 mm
efficiency	80,1 %
heated area ¹	80-115 m²
CO emission - 13% O₂	0,08 %
flue gas temperature	266°C
chimney draught	12±2 Pa
maximum log length	700 mm
air intake diameter	125 mm
guarantee	5 years
weight	~181 kg
net price	1 275 €



1. Maximum area of heated rooms estimated for unit heat demand in the range of 70 to 100 W/m² and rooms for standard 2,5m height. The given values have been calculated for the minimum power of 30% and maximum power of 100%.

INTRA ME SLIM

BIMSCHV stufe 2

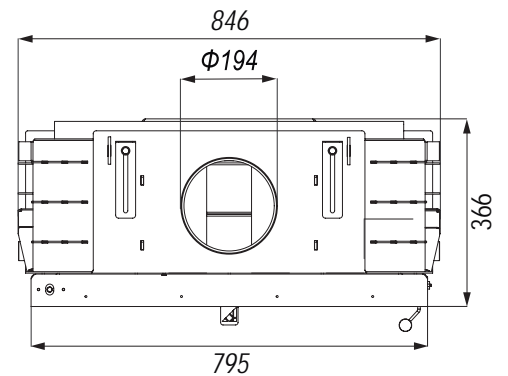
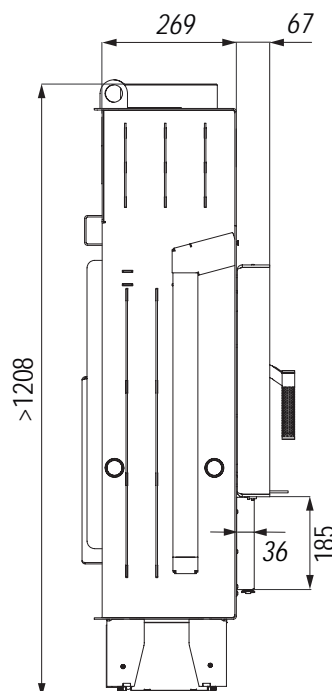
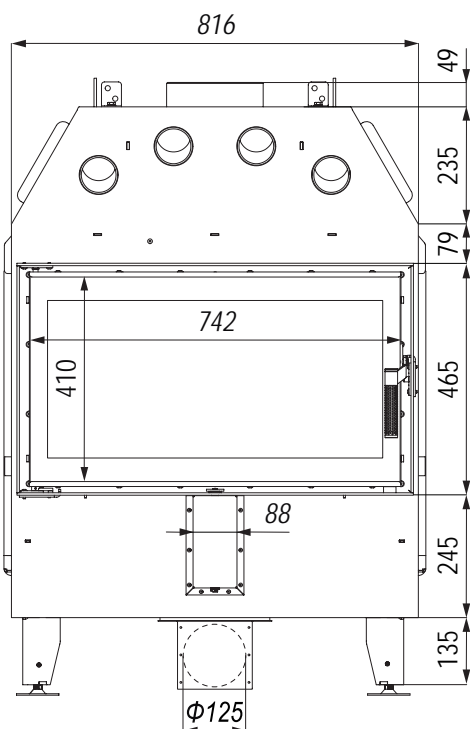


5 YEARS WARRANTY

2 CERAMITON YEARS WARRANTY

1 GRATE YEAR WARRANTY

1 DEFLECTOR YEAR WARRANTY



Foot adjustment range from 0 to 100 mm.

nominal power	6 kW
flue diameter	200 mm
efficiency	78 %
heated area ¹	60-85 m²
CO emimision - 13% O₂	0,1 %
flue gas temperature	260°C
chimney draught	12±2 Pa
maximum log length	500 mm
air intake diameter	125 mm
guarantee	5 years
weight	~148 kg
net price	1 247 €



1. Maximum area of heated rooms estimated for unit heat demand in the range of 70 to 100 W/m² and rooms for standard 2,5m height. The given values have been calculated for the minimum power of 30% and maximum power of 100%.

INTRA SM BP SLIM

BIMSCHV
stufe 2

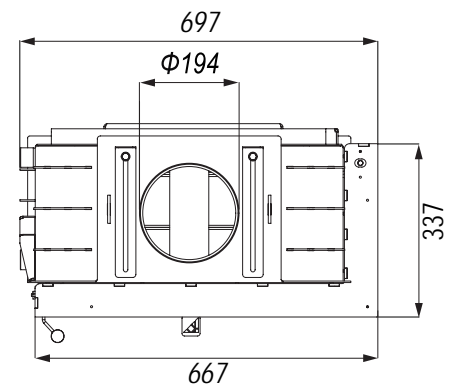
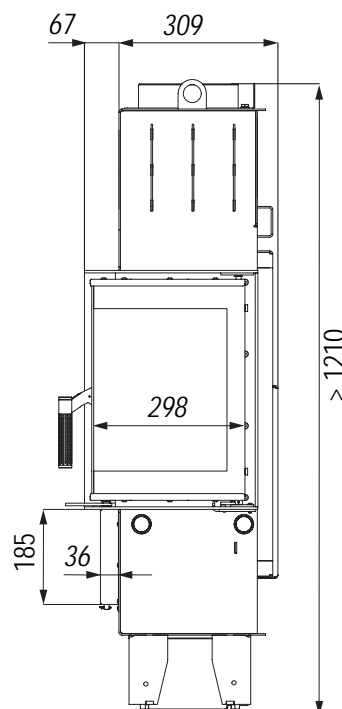
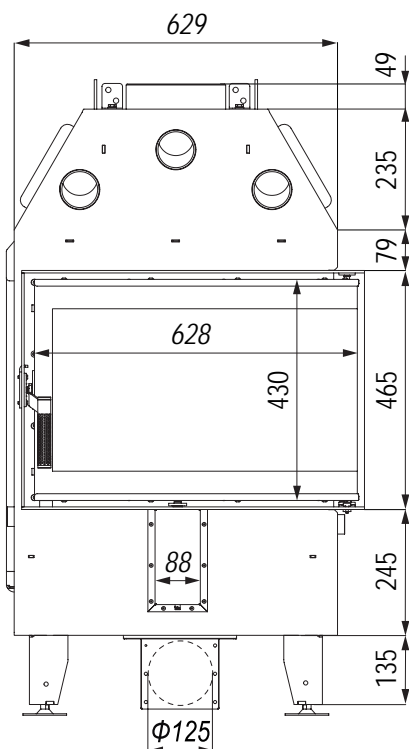


5 YEARS
WARRANTY

2 YEARS
WARRANTY

1 YEAR
WARRANTY

1 YEAR
WARRANTY



Foot adjustment range from 0 to 100 mm.

nominal power	8 kW
flue diameter	200 mm
efficiency	80,1 %
heated area ¹	80-115 m²
CO emission - 13% O₂	0,08 %
flue gas temperature	266°C
chimney draught	12±2 Pa
maximum log length	700 mm
air intake diameter	125 mm
guarantee	5 years
weight	~178 kg
net price	1 443 €



1. Maximal area of heated rooms estimated for unit heat demand in the range of 70 to 100 W/m² and rooms for standard 2,5m height. The given values have been calculated for the minimum power of 30% and maximum power of 100%.

INTRA ME BP SLIM

BIMSCHV
stufe **2**

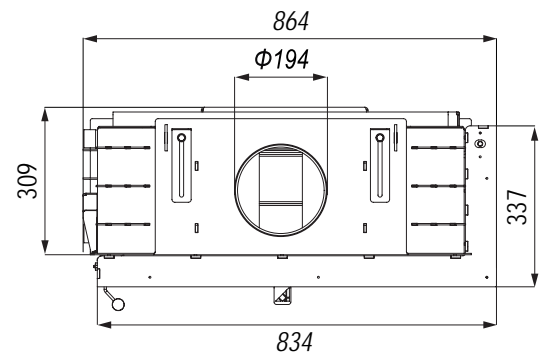
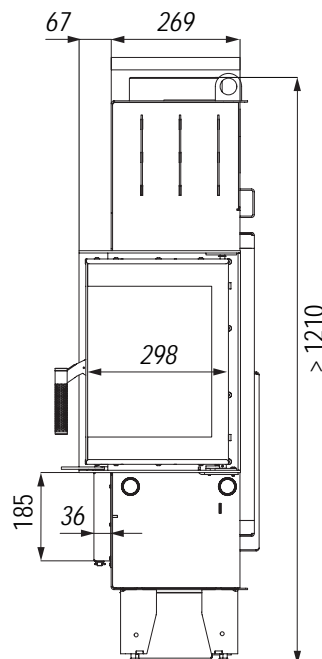
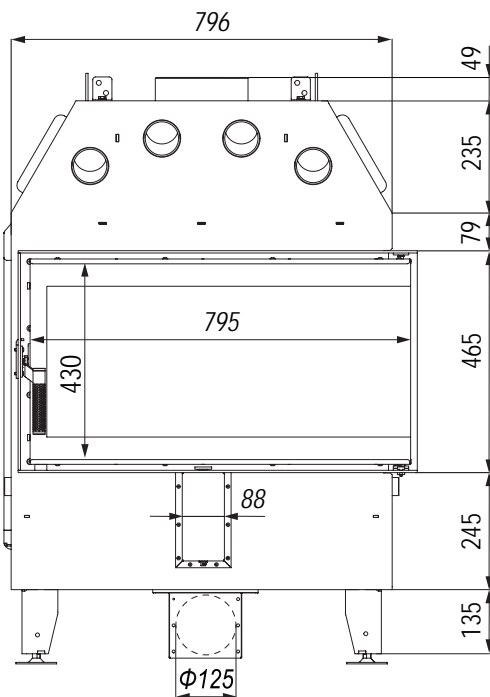


5 YEARS
WARRANTY

2 YEARS
WARRANTY

1 YEAR
WARRANTY

1 YEAR
WARRANTY



Foot adjustment range from 0 to 100 mm.

nominal power	6 kW
flue diameter	200 mm
efficiency	78 %
heated area ¹	60-85 m²
CO emission - 13% O₂	0,1 %
flue gas temperature	260°C
chimney draught	12±2 Pa
maximum log length	500 mm
air intake diameter	125 mm
guarantee	5 years
weight	~148 kg
net price	1 247 €

1. Maximum area of heated rooms estimated for unit heat demand in the range of 70 to 100 W/m² and rooms for standard 2,5m height. The given values have been calculated for the minimum power of 30% and maximum power of 100%.



INTRA SM BL SLIM

BIMSCHV
stufe **2**

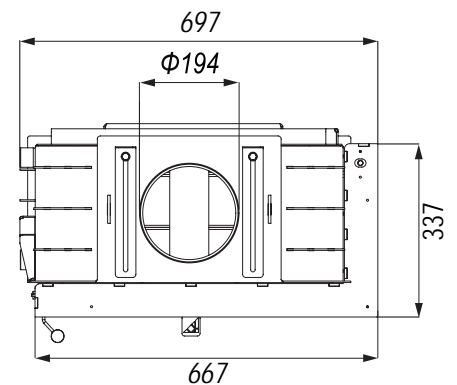
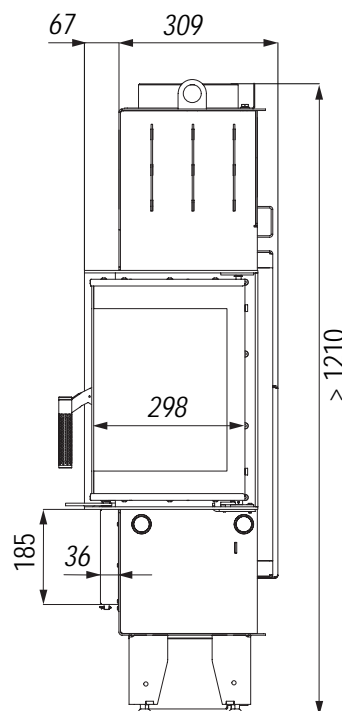
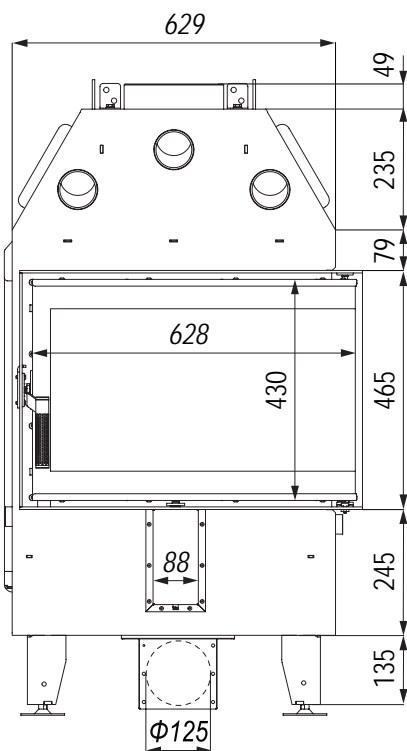


5 YEARS
WARRANTY

2 YEARS
WARRANTY

1 YEAR
WARRANTY

1 YEAR
WARRANTY



dimensions presented on the basis of: 
DEFRO HOME PRIMA SM BP MINI

Foot adjustment range from 0 to 100 mm.

nominal power	8 kW
flue diameter	200 mm
efficiency	80,1 %
heated area ¹	80-115 m²
CO emission - 13% O₂	0,08 %
flue gas temperature	266°C
chimney draught	12±2 Pa
maximum log length	700 mm
air intake diameter	125 mm
guarantee	5 years
weight	~178 kg
net price	1 443 €



1. Maximal area of heated rooms estimated for unit heat demand in the range of 70 to 100 W/m² and rooms for standard 2,5m height. The given values have been calculated for the minimum power of 30% and maximum power of 100%.

INTRA ME BL SLIM

BIMSCHV
stufe **2**

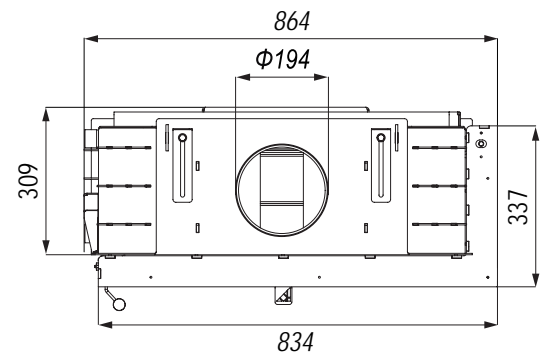
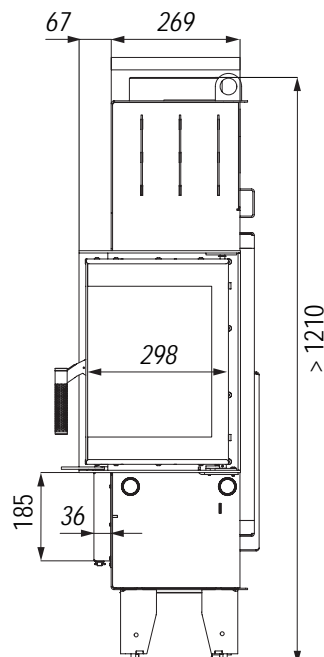
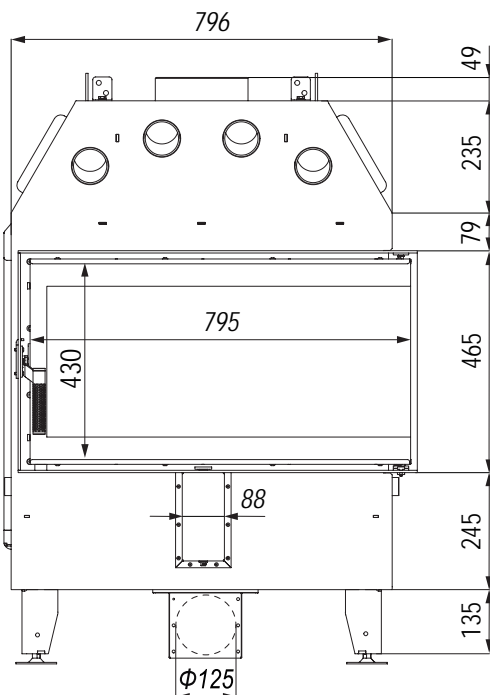


5 YEARS
WARRANTY

2 YEARS
WARRANTY

1 YEAR
WARRANTY

1 YEAR
WARRANTY



dimensions presented on the basis of: 
DEFRO HOME PRIMA SM BP MINI

Foot adjustment range from 0 to 100 mm.

nominal power	6 kW
flue diameter	200 mm
efficiency	78 %
heated area ¹	60-85 m²
CO emission - 13% O₂	0,1 %
flue gas temperature	260°C
chimney draught	12±2 Pa
maximum log length	500 mm
air intake diameter	125 mm
guarantee	5 years
weight	~148 kg
net price	1 882 €



1. Maximum area of heated rooms estimated for unit heat demand in the range of 70 to 100 W/m² and rooms for standard 2,5m height. The given values have been calculated for the minimum power of 30% and maximum power of 100%.

INTRA SM SLIM G

BIMSCHV
stufe 2

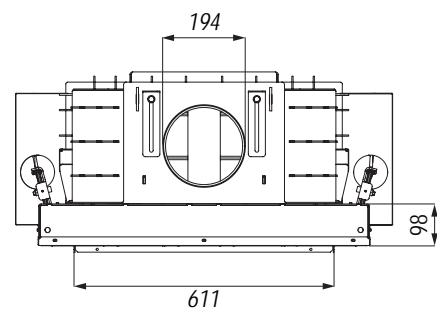
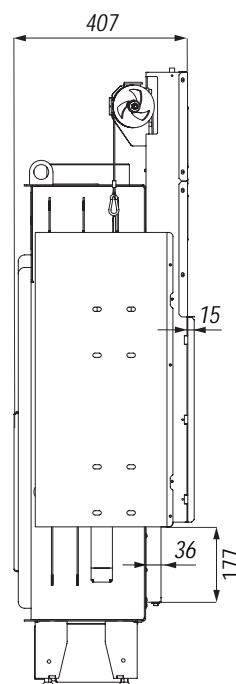
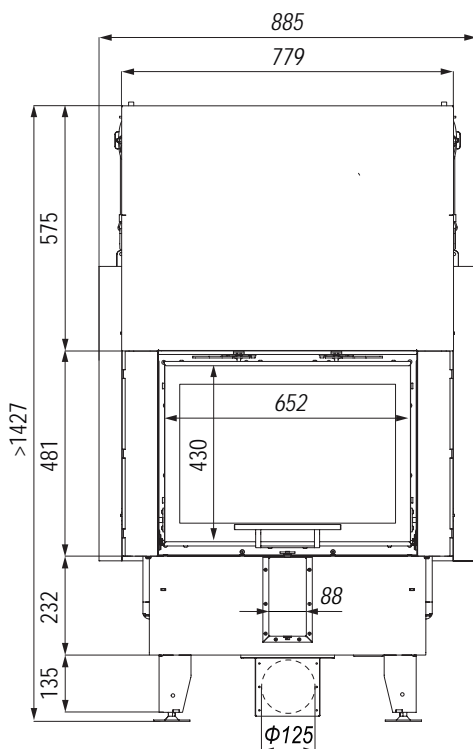


5 YEARS
WARRANTY

2 YEARS
WARRANTY

1 YEAR
WARRANTY

1 YEAR
WARRANTY



Foot adjustment range from 0 to 100 mm.

nominal power	8 kW
flue diameter	200 mm
efficiency	80,1 %
heated area ¹	80-115 m²
CO emission - 13% O₂	0,08 %
flue gas temperature	266°C
chimney draught	12±2 Pa
maximum log length	700 mm
air intake diameter	125 mm
guarantee	5 years
weight	~178 kg
net price	2 020 €



1. Maximum area of heated rooms estimated for unit heat demand in the range of 70 to 100 W/m² and rooms for standard 2,5m height. The given values have been calculated for the minimum power of 30% and maximum power of 100%.

INTRA ME SLIM G

BIMSCHV
stufe **2**

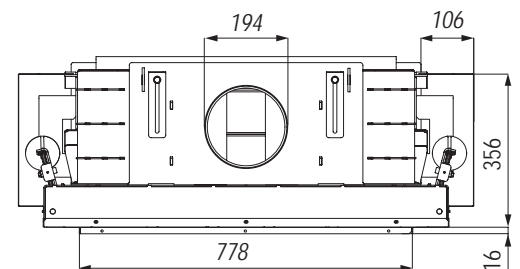
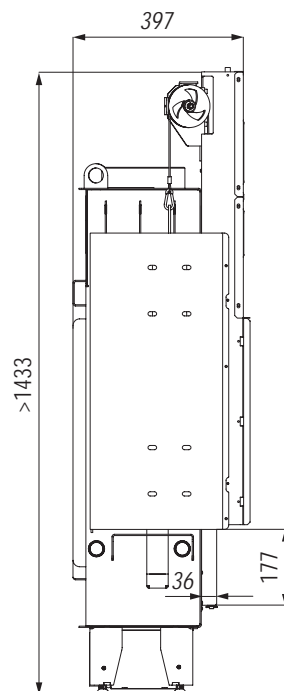
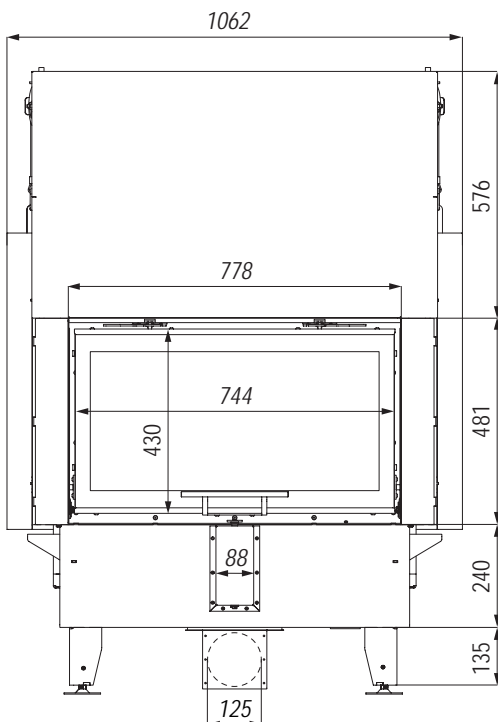


5 YEARS
WARRANTY

2 YEARS
WARRANTY

1 YEAR
WARRANTY

1 YEAR
WARRANTY



Foot adjustment range from 0 to 100 mm.

nominal power	6 kW
flue diameter	200 mm
efficiency	78 %
heated area ¹	60-85 m²
CO emission - 13% O₂	0,1 %
flue gas temperature	260°C
chimney draught	12±2 Pa
maximum log length	500 mm
air intake diameter	125 mm
guarantee	5 years
weight	~148 kg
net price	2 074 €



1. Maximum area of heated rooms estimated for unit heat demand in the range of 70 to 100 W/m² and rooms for standard 2,5m height. The given values have been calculated for the minimum power of 30% and maximum power of 100%.

INTRA SM BL SLIM G

BIMSCHV
stufe **2**

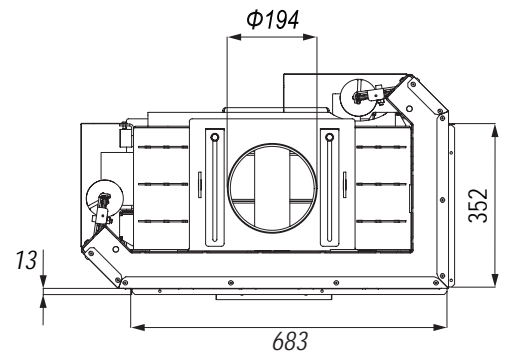
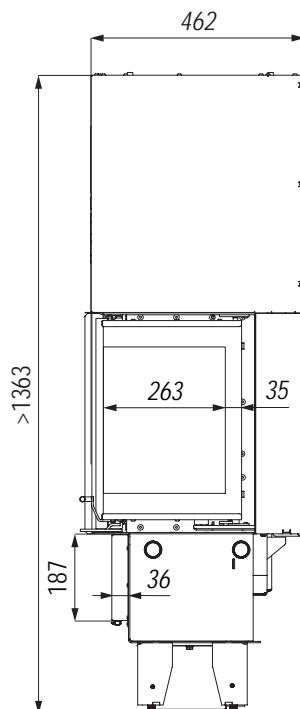
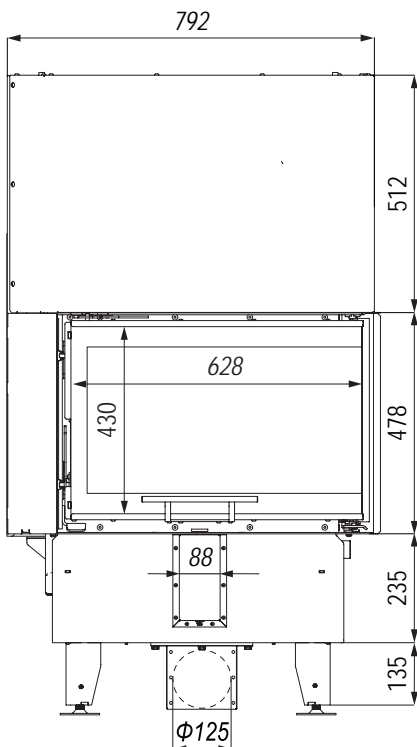


5 YEARS
WARRANTY

2 YEARS
WARRANTY

1 YEAR
WARRANTY

1 YEAR
WARRANTY



dimensions presented on the basis of: 
INTRA SM BL SLIM G

Foot adjustment range from 0 to 100 mm.

nominal power	8 kW
flue diameter	200 mm
efficiency	80,1 %
heated area ¹	80-115 m²
CO emission - 13% O₂	0,08 %
flue gas temperature	266°C
chimney draught	12±2 Pa
maximum log length	700 mm
air intake diameter	125 mm
guarantee	5 years
weight	~178 kg
net price	2 266 €



1. Maximal area of heated rooms estimated for unit heat demand in the range of 70 to 100 W/m² and rooms for standard 2,5m height. The given values have been calculated for the minimum power of 30% and maximum power of 100%.

INTRA ME BL SLIM G

BIMSCHV
stufe 2

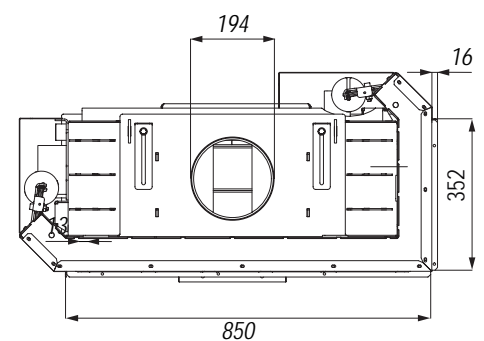
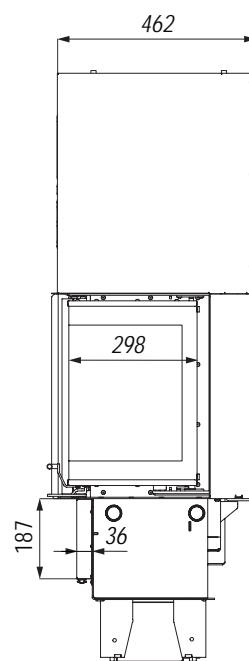
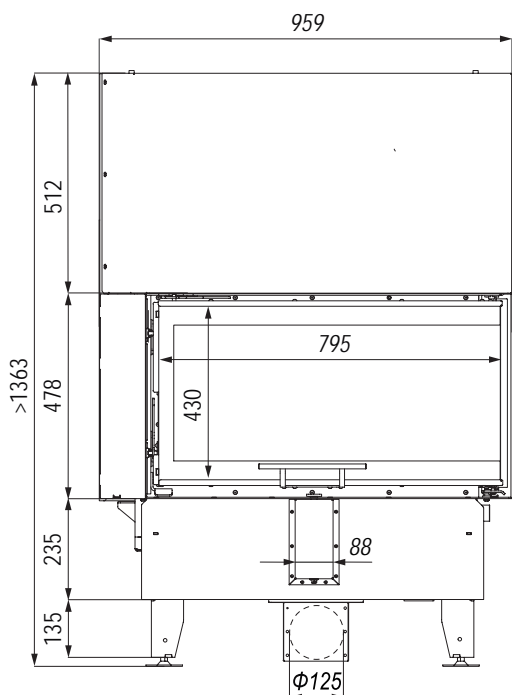


5 YEARS
WARRANTY

2 CERAMITON
YEARS
WARRANTY

1 GRATE
YEAR
WARRANTY

1 DEFLECTOR
YEAR
WARRANTY



dimensions presented on the basis of:
INTRA ME BL SLIM G

Foot adjustment range from 0 to 100 mm.

nominal power	6 kW
flue diameter	200 mm
efficiency	78 %
heated area ¹	60-85 m²
CO emission - 13% O₂	0,1 %
flue gas temperature	260°C
chimney draught	12±2 Pa
maximum log length	500 mm
air intake diameter	125 mm
guarantee	5 years
weight	~148 kg
net price	2 074 €



1. Maximum area of heated rooms estimated for unit heat demand in the range of 70 to 100 W/m² and rooms for standard 2,5m height. The given values have been calculated for the minimum power of 30% and maximum power of 100%.

INTRA SM BP SLIM G

BIMSCHV
stufe **2**

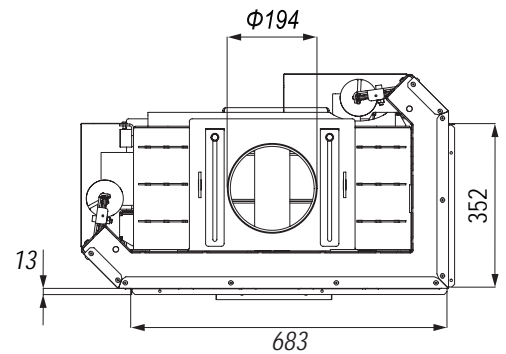
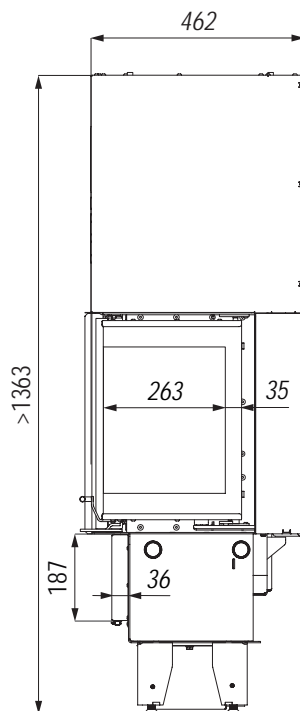
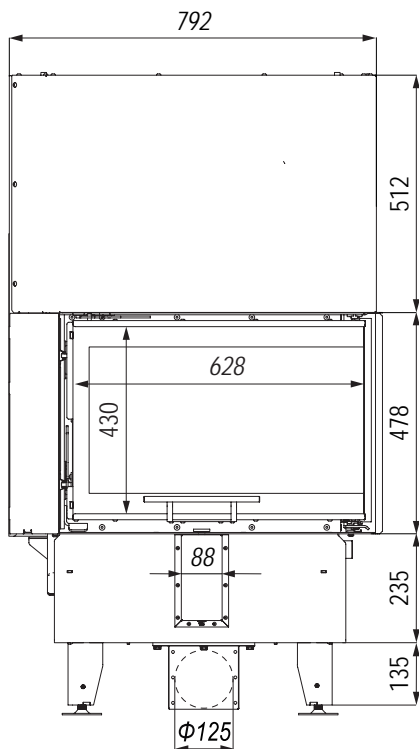


5 YEARS
WARRANTY

2 YEARS
WARRANTY

1 YEAR
WARRANTY

1 YEAR
WARRANTY



Foot adjustment range from 0 to 100 mm.

nominal power	8 kW
flue diameter	200 mm
efficiency	80,1 %
heated area ¹	80-115 m²
CO emission - 13% O₂	0,08 %
flue gas temperature	266°C
chimney draught	12±2 Pa
maximum log length	700 mm
air intake diameter	125 mm
guarantee	5 years
weight	~178 kg
net price	2 266 €



1. Maximum area of heated rooms estimated for unit heat demand in the range of 70 to 100 W/m² and rooms for standard 2,5m height. The given values have been calculated for the minimum power of 30% and maximum power of 100%.

INTRA ME BP SLIM G

BIMSCHV
stufe **2**

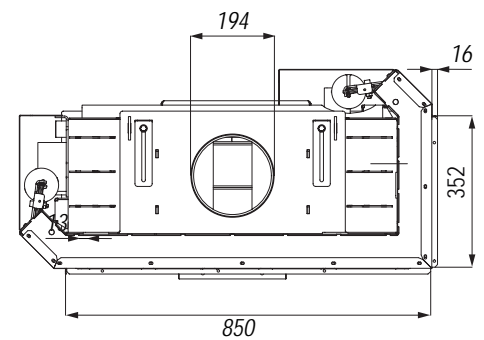
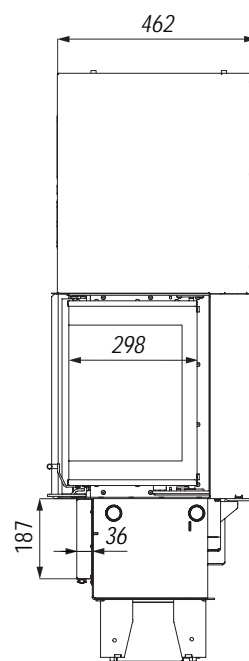
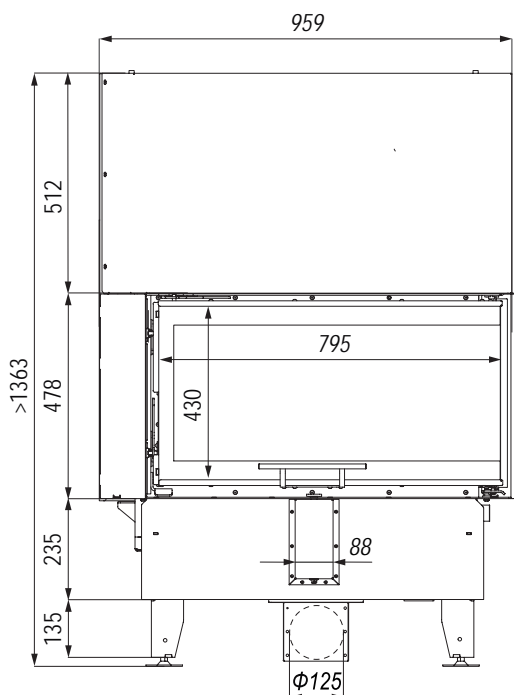


5 YEARS
WARRANTY

2 YEARS
WARRANTY
CERAMITON

1 YEAR
WARRANTY
GRATE

1 YEAR
WARRANTY
DEFLECTOR



Foot adjustment range from 0 to 100 mm.

nominal power	8 kW
flue diameter	200 mm
efficiency	80,2 %
heated area ¹	80-115 m²
CO emission - 13% O₂	0,078 %
flue gas temperature	282°C
chimney draught	12±2 Pa
maximum log length	500 mm
air intake diameter	125 mm
guarantee	5 years
weight	~170 kg
net price	970 €

1. Maximum area of heated rooms estimated for unit heat demand in the range of 70 to 100 W/m² and rooms for standard 2,5m height. The given values have been calculated for the minimum power of 30% and maximum power of 100%.



IMPULS SM

BIMSCHV stufe 2

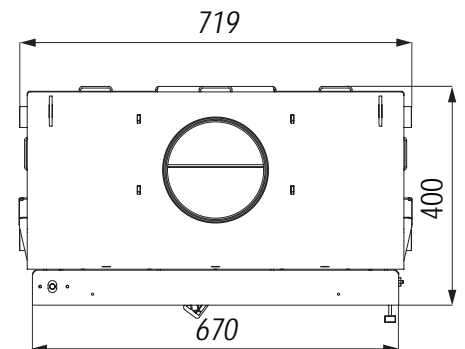
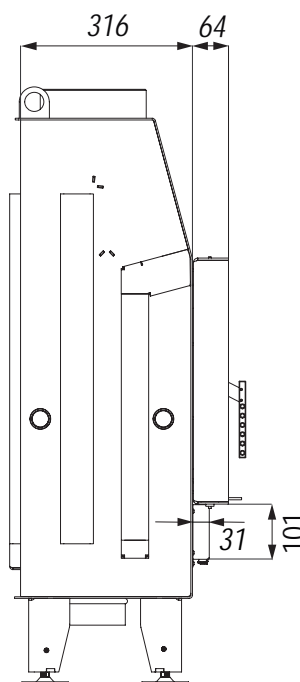
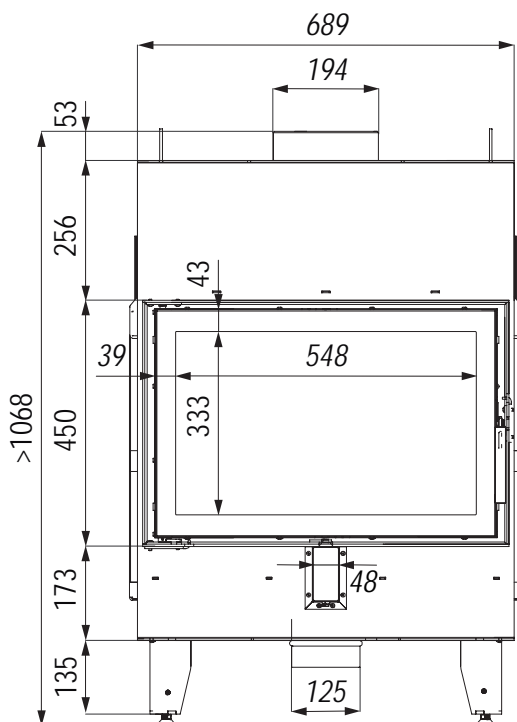


5 YEARS WARRANTY

2 CERAMITON YEARS WARRANTY

1 GRATE YEAR WARRANTY

1 DEFLECTOR YEAR WARRANTY



Foot adjustment range from 0 to 100 mm.

nominal power	10 kW
flue diameter	200 mm
efficiency	80 %
heated area ¹	100-140 m²
CO emission - 13% O₂	0,1 %
flue gas temperature	260°C
chimney draught	12±2 Pa
maximum log length	700 mm
air intake diameter	125 mm
guarantee	5 years
weight	~188 kg
net price	1 045 €

1. Maximum area of heated rooms estimated for unit heat demand in the range of 70 to 100 W/m² and rooms for standard 2,5m height. The given values have been calculated for the minimum power of 30% and maximum power of 100%.



IMPULS ME

BIMSCHV stufe 2

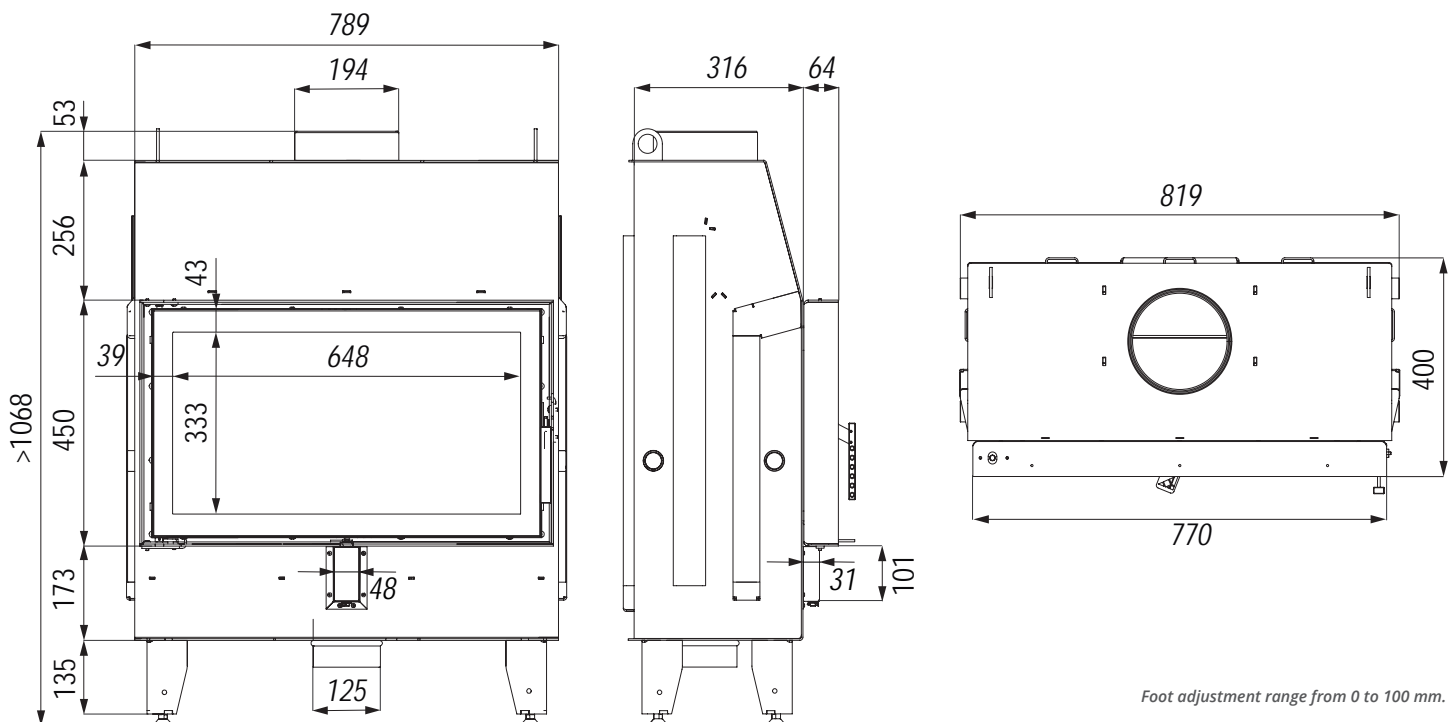


5 YEARS WARRANTY

2 CERAMITON YEARS WARRANTY

1 GRATE YEAR WARRANTY

1 DEFLECTOR YEAR WARRANTY



Foot adjustment range from 0 to 100 mm.

nominal power	8 kW
flue diameter	200 mm
efficiency	80,2 %
heated area ¹	80-115 m²
CO emission - 13% O₂	0,078 %
flue gas temperature	282°C
chimney draught	12±2 Pa
maximum log length	500 mm
air intake diameter	125 mm
guarantee	5 years
weight	~143 kg
net price	1 095 €

1. Maximum area of heated rooms estimated for unit heat demand in the range of 70 to 100 W/m² and rooms for standard 2,5m height. The given values have been calculated for the minimum power of 30% and maximum power of 100%.



IMPULS SM BL

BIMSCHV
stufe 2

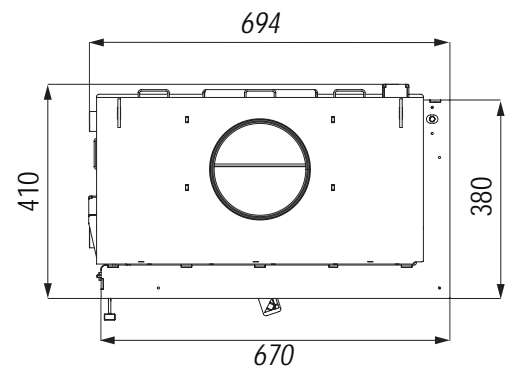
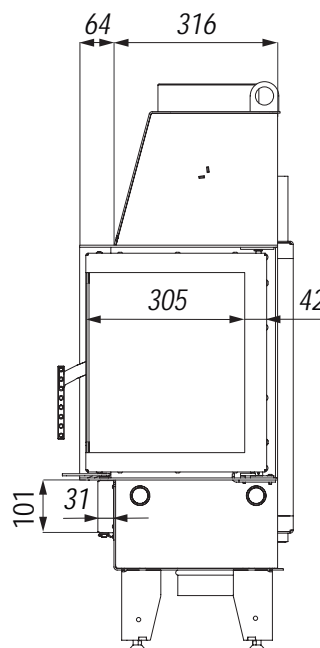
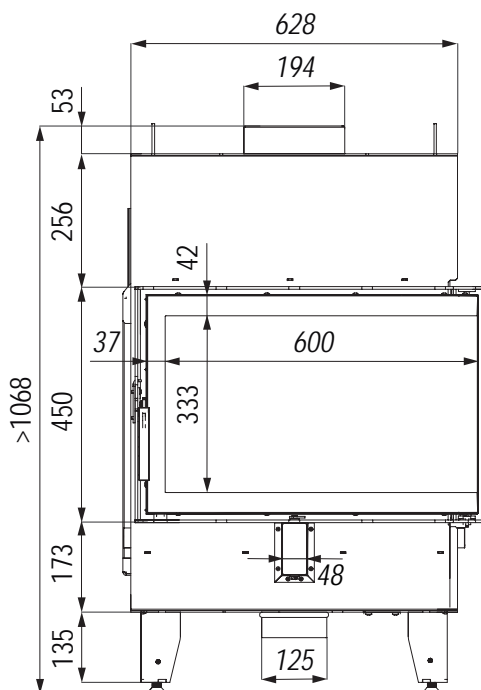


5 YEARS
WARRANTY

2 YEARS
WARRANTY

1 YEAR
WARRANTY

1 YEAR
WARRANTY



dimensions presented on the basis of: IMPULS SM BP

Foot adjustment range from 0 to 100 mm.

nominal power	8 kW
flue diameter	200 mm
efficiency	80,2 %
heated area ¹	80-115 m²
CO emission - 13% O₂	0,078 %
flue gas temperature	282°C
chimney draught	12±2 Pa
maximum log length	500 mm
air intake diameter	125 mm
guarantee	5 years
weight	~143 kg
net price	1 095 €

1. Maximum area of heated rooms estimated for unit heat demand in the range of 70 to 100 W/m² and rooms for standard 2,5m height. The given values have been calculated for the minimum power of 30% and maximum power of 100%.



IMPULS SM BP

BIMSCHV
stufe 2

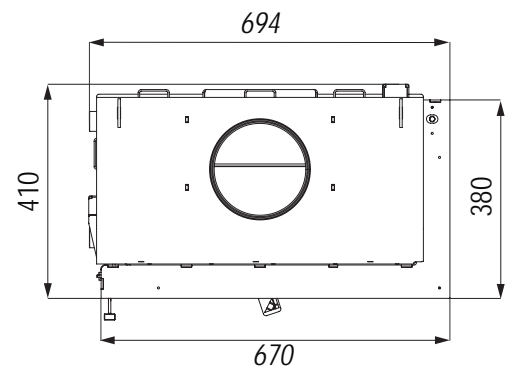
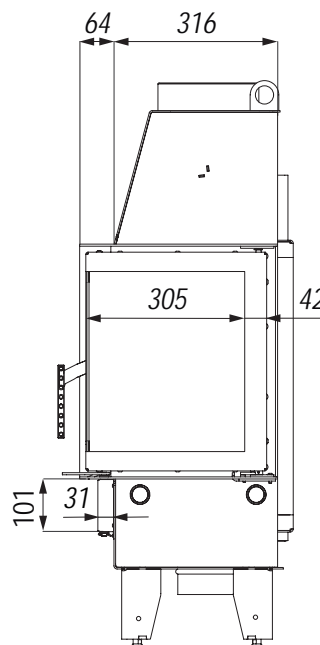
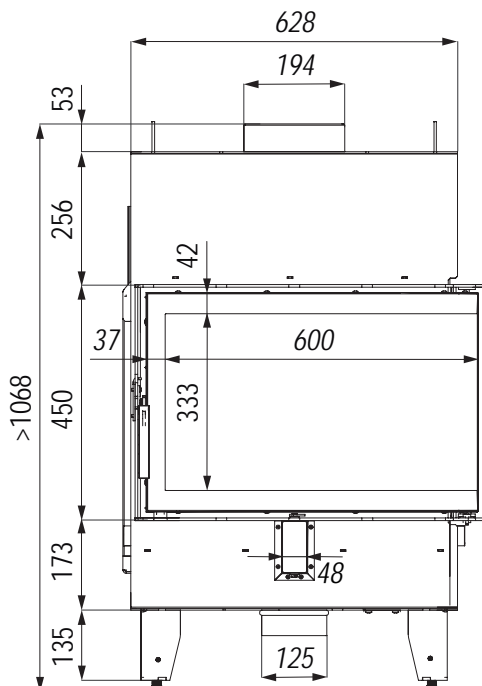


5 YEARS
WARRANTY

2 YEARS
WARRANTY

1 YEAR
WARRANTY

1 YEAR
WARRANTY



Foot adjustment range from 0 to 100 mm.

nominal power	10 kW
flue diameter	200 mm
efficiency	80 %
heated area ¹	100-140 m²
CO emission - 13% O₂	0,1 %
flue gas temperature	260°C
chimney draught	12±2 Pa
maximum log length	700 mm
air intake diameter	125 mm
guarantee	5 years
weight	~175 kg
net price	1 169 €

1. Maximum area of heated rooms estimated for unit heat demand in the range of 70 to 100 W/m² and rooms for standard 2,5m height. The given values have been calculated for the minimum power of 30% and maximum power of 100%.



IMPULS ME BP

BIMSCHV
stufe 2

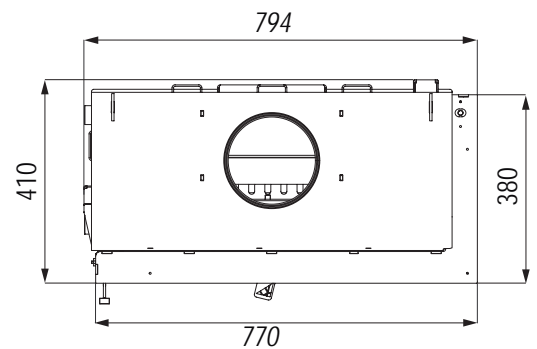
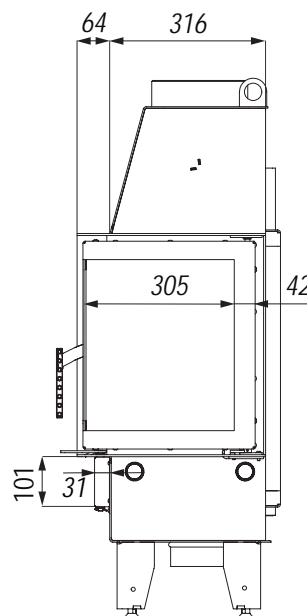
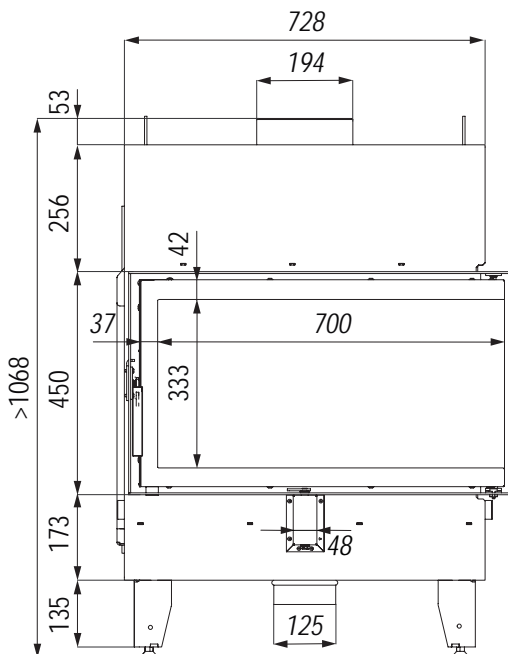


5 YEARS
WARRANTY

2 YEARS
CERAMITON
WARRANTY

1 YEAR
GRATE
WARRANTY

1 YEAR
DEFLECTOR
WARRANTY



Foot adjustment range from 0 to 100 mm.

SURCHARGE FOR ADDITIONAL CONFIGURATION OF FIREPLACE INSERTS

BLACK CERAMITON



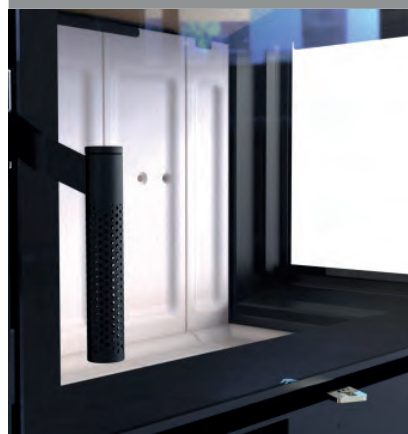
Fireplace insert name	net price
DEFRO HOME PRIMA XSM	152 €
DEFRO HOME PRIMA SM (also available in T, TG)	167 €
DEFRO HOME PRIMA ME (also available in T, TG)	181 €
DEFRO HOME PRIMA LA (also available in T, TG)	196 €
DEFRO HOME PRIMA SM BL i DEFRO HOME PRIMA SM BP (also available in G and MINI)	167 €
DEFRO HOME PRIMA ME BL i DEFRO HOME PRIMA ME BP (also available in G and MINI)	181 €
INTRA SM SLIM (also available in G)	167 €
INTRA ME SLIM (also available in G)	181 €
INTRA SM BL SLIM i INTRA SM BP SLIM (also available in G)	167 €
INTRA ME BL SLIM i INTRA ME BP SLIM (also available in G)	181 €
IMPULS SM	-
IMPULS ME	-
IMPULS SM BP	-
IMPULS SM BL	-

HANDLE ON THE OTHER SIDE



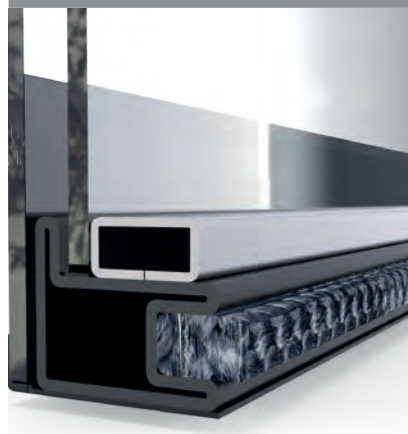
Fireplace insert name	net price
DEFRO HOME PRIMA XSM	122 €
DEFRO HOME PRIMA SM (also available in T, TG)	
DEFRO HOME PRIMA ME (also available in T, TG)	
DEFRO HOME PRIMA LA (also available in T, TG)	
DEFRO HOME PRIMA SM BL i DEFRO HOME PRIMA SM BP (also available in G and MINI)	
DEFRO HOME PRIMA ME BL i DEFRO HOME PRIMA ME BP (also available in G and MINI)	
INTRA SM SLIM	
INTRA ME SLIM	
INTRA SM BL SLIM i INTRA SM BP SLIM	
INTRA ME BL SLIM i INTRA ME BP SLIM	
IMPULS SM	
IMPULS ME	
IMPULS SM BP	
IMPULS SM BL	

BLACK HANDLE



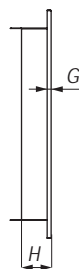
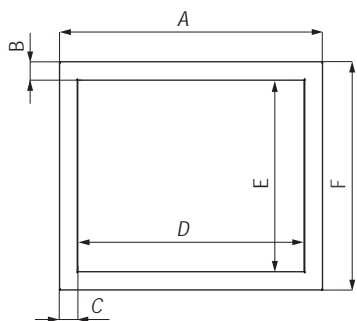
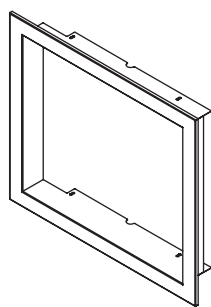
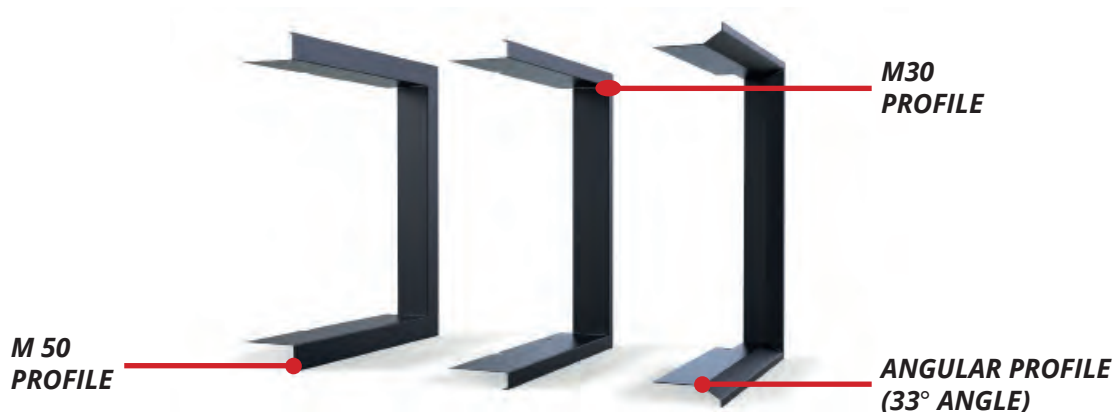
Fireplace insert name	net price
DEFRO HOME PRIMA XSM	24 €
DEFRO HOME PRIMA SM (also available in T, TG)	
DEFRO HOME PRIMA ME (also available in T, TG)	
DEFRO HOME PRIMA LA (also available in T, TG)	
DEFRO HOME PRIMA SM BL i DEFRO HOME PRIMA SM BP (also available in G and MINI)	
DEFRO HOME PRIMA ME BL i DEFRO HOME PRIMA ME BP (also available in G and MINI)	
INTRA SM SLIM	
INTRA ME SLIM	
INTRA SM BL SLIM i INTRA SM BP SLIM	
INTRA ME BL SLIM i INTRA ME BP SLIM	
IMPULS SM	
IMPULS ME	
IMPULS SM BP	
IMPULS SM BL	

DOUBLE GLASS

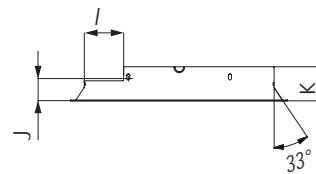
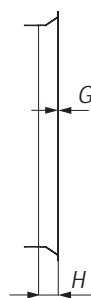
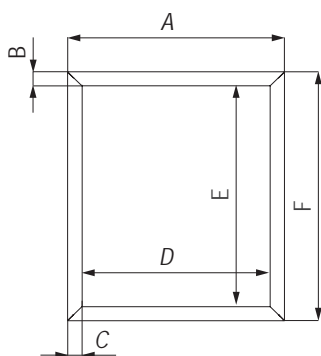
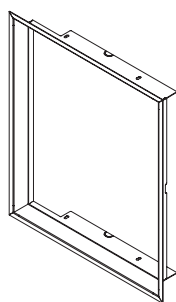


Fireplace insert name	net price
DEFRO HOME PRIMA XSM	159 €
DEFRO HOME PRIMA SM (also available in T, TG - apply to 1 glass)	184 €
DEFRO HOME PRIMA ME (also available in T, TG - apply to 1 glass)	208 €
DEFRO HOME PRIMA LA (also available in T, TG - apply to 1 glass)	233 €
DEFRO HOME PRIMA SM BL i DEFRO HOME PRIMA SM BP (also available in G and MINI)	184 €
DEFRO HOME PRIMA ME BL i DEFRO HOME PRIMA ME BP (also available in G and MINI)	208 €
INTRA SM SLIM	-
INTRA ME SLIM	-
INTRA SM BL SLIM i INTRA SM BP SLIM	-
INTRA ME BL SLIM i INTRA ME BP SLIM	-
IMPULS SM	-
IMPULS ME	-
IMPULS SM BP	-
IMPULS SM BL	-

DECORATIVE FRAMES FOR AIR FIREPLACE INSERTS



STRAIGHT FRAME
(M30 AND M50 PROFILE)



STRAIGHT FRAME
(ANGULAR PROFILE)

DIMENSIONS OF STRAIGHT FRAMES

PRIMA SERIES

Specification of the fireplace insert				dimensions given in mm											net price
Name	flange	depth	name	A	B	C	D	E	F	G	H	I	J	K	
PRIMA XSM	M 30	shallow	PR.XS.MASKOWN.30	506	30	30	446	521	581	11	81	92	86	111	78 €
	M 50	shallow	PR.XS.MASKOWN.50	546	50	50	446	521	621	11	81	92	86	111	78 €
	angular	shallow	PR.XSM.MASKOWN.KAT.W.GŁ	511	33	34	443	520	586	2	74	92	80	107	88 €
PRIMA SM	M30	shallow	PR.SM.MASKOWN.30	676	30	30	616	521	581	11	81	92	86	111	81 €
	M50	shallow	PR.SM.MASKOWN.50	716	50	50	616	521	621	11	81	92	86	111	81 €
	angular	shallow	PR.SM.MASKOWN.KAT.N.GŁ	681	33	34	613	450	516	2	74	92	90	107	91 €
		deep	PR.SM.MASKOWN.KAT.W.GŁ	681	33	34	613	520	586	2	74	92	80	107	91 €
PRIMA ME	M30	shallow	PR.ME.MASKOWN.30	841	30	30	781	521	581	11	81	90	86	111	83 €
	M 50	shallow	PR.ME.MASKOWN.50	881	50	50	781	521	621	11	81	92	86	111	83 €
	angular	shallow	PR.ME.MASKOWN.KAT.N.GŁ	846	33	34	778	450	516	2	47	100	80	107	93 €
		deep	PR.ME.MASKOWN.KAT.W.GŁ	846	33	34	778	520	586	2	47	100	88	107	93 €
PRIMA LA	M 30	shallow	PR.LA.MASKOWN.30	1011	30	30	951	521	581	11	81	92	86	111	86 €
	M 50	shallow	PR.LA.MASKOWN.50	1051	50	50	951	521	621	11	81	92	86	111	86 €
	angular	shallow	PR.LA.MASKOWN.KAT.N.GŁ	1016	33	34	948	450	516	2	74	90	80	107	96 €
		deep	PR.LA.MASKOWN.KAT.W.GŁ	1016	33	34	948	520	586	2	74	90	80	107	96 €

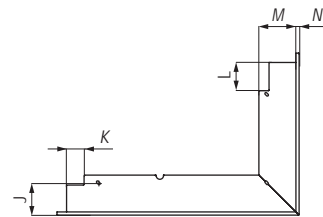
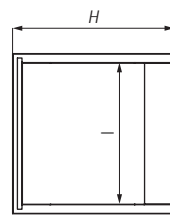
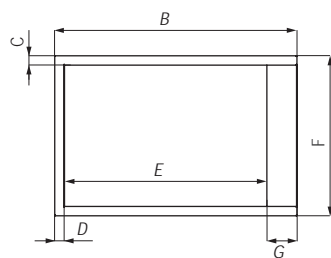
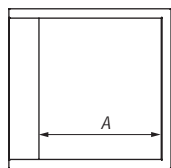
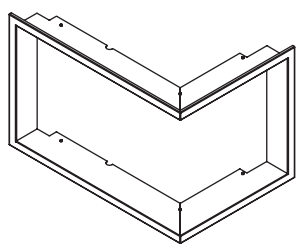
INTRA SERIES

Specification of the fireplace insert				dimensions given in mm											net price
Name	flange	depth	name	A	B	C	D	E	F	G	H	I	J	K	
INTRA SM	M30	shallow	IN.SM.MASKOWN.30	676	30	30	616	451	511	11	81	92	84	109	78 €
	M50	shallow	IN.SM.MASKOWN.50	716	50	50	616	451	551	11	81	92	84	111	78 €
INTRA ME	M30	shallow	IN.ME.MASKOWN.30	841	30	30	781	451	511	11	81	92	84	111	83 €
	M50	shallow	IN.ME.MASKOWN.50	881	50	50	781	451	551	11	81	92	84	111	83 €

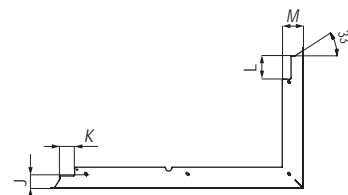
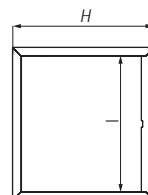
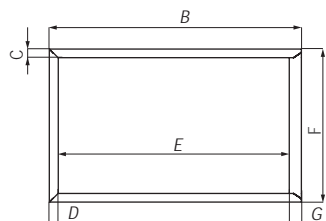
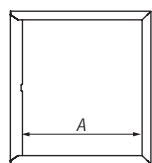
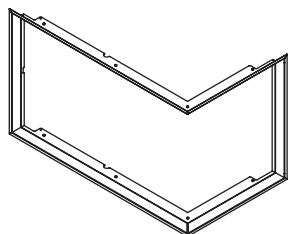
IMPULS SERIES

Specification of the fireplace insert				dimensions given in mm											net price
Name	flange	depth	name	A	B	C	D	E	F	G	H	I	J	K	
IMPULS SM	M30	shallow	IM.SM.MASKOWN.30	718	30	30	658	438	498	11	81	92	86	111	78 €
	M50	shallow	IM.SM.MASKOWN.50	758	50	50	658	438	538	11	81	92	86	111	78 €
IMPULS ME	M30	shallow	IM.ME.MASKOWN.30	818	30	30	758	438	498	11	81	96	86	110	83 €
	M50	shallow	IM.ME.MASKOWN.50	858	50	50	758	438	538	11	81	96	86	111	83 €

DECORATIVE FRAMES FOR AIR FIREPLACE INSERTS



**SIDE FRAME
(M30 AND M50 PROFILE)**



**SIDE FRAME
(ANGULAR PROFILE)**

DIMENSIONS OF SIDE FRAMES

PRIMA SERIES

Specification of the fireplace insert				dimensions given in mm														net price
Name	flange	depth	name	A	B	C	D	E	F	G	H	I	J	K	L	M	N	
PRIMA SM BP MINI/ PRIMA SM BL MINI	M 30	shallow	PR.SM.B.MINI.MASKOWN.30	390	772	30	31	647	510	96	517	450	100	56	90	118	10	105 €
	M 50	shallow	PR.SM.B.MINI.MASKOWN.50	390	792	30	31	647	551	96	517	450	100	56	90	118	10	105 €
	angular	shallow	PR.SM.B.MINI.MASKOWN.KAT	390	765	33	34	644	516	89	510	450	92	60	90	120	13	115 €
PRIMA SM BP / PRIMA SM BL	M30	shallow	PR.SM.B.MASKOWN.30	546	842	30	51	715	581	95	587	521	102	56	90	118	10	105 €
	M50	shallow	PR.SM.B.MASKOWN.50	460	862	50	51	715	621	95	607	521	102	56	90	118	10	105 €
	angular	shallow	PR.SM. MASKOWN. KAT.N.GŁ	458	835	33	34	714	516	88	580	450	94	58	88	120	-	115 €
		deep	PR.SM.B.MASKOWN.50.KAT.W.GŁ	459	836	33	34	713	587	89	582	521	94	60	89	120	-	115 €
PRIMA ME BP / PRIMA ME BL	M30	shallow	PR.ME.B.MASKOWN.30	459	1012	30	31	884	586	96	587	520	100	56	90	118	10	110 €
	M 50	shallow	PR.ME.B.MAKOWN.50	459	1032	50	51	884	620	96	607	520	100	56	90	118	10	110 €
	angular	shallow	PR.ME.B.MASKOWN.KAT.N.GŁ	458	1005	33	34	884	516	88	580	450	112	58	89	121	-	120 €
		deep	PR.ME.B.MASKOWN.KAT.W.GŁ	458	1005	33	34	884	586	88	580	52	94	58	88	121	-	120 €

INTRA SERIES

Specification of the fireplace insert				dimensions given in mm														net price
Name	flange	depth	name	A	B	C	D	E	F	G	H	I	J	K	L	M	N	
INTRA SM BP / INTRA SM BL	M30	shallow	IN.SM.B.MASKOWN.30	315	736	30	31	645	511	60	406	451	65	56	90	82	10	105 €
	M50	shallow	IN.SM.B.MASKOWN.50	315	756	50	51	645	551	60	426	451	65	56	90	82	10	105 €
INTRA ME BP / INTRA ME BL	M30	shallow	IN.ME.B.MASKOWN.30	315	903	30	31	812	511	60	406	451	65	56	90	92	10	110 €
	M50	shallow	IN.ME.B.MASKOWN.50	315	944	50	51	812	551	81	447	451	86	56	90	113	10	110 €

IMPULS SERIES

Specification of the fireplace insert				dimensions given in mm														net price
Name	flange	depth	name	A	B	C	D	E	F	G	H	I	J	K	L	M	N	
IMPULS SM BP/ IMPULS SM BL	M30	shallow	IM.SM.B.MASKOWN.30	359	776	30	30	745	500	96	486	440	100	56	90	118	10	105 €
	M50	shallow	IM.SM.B.MASKOWN.50	359	796	50	51	745	538	96	506	438	100	56	90	118	10	105 €
IMPULS ME BP/ IMPULS ME BL	M30	shallow	IM.ME.B.MASKOWN.30	359	876	30	30	845	500	96	486	440	100	56	90	118	10	110 €
	M50	shallow	IM.ME.B.MASKOWN.50	359	896	50	50	845	540	96	506	440	100	56	90	118	10	110 €

DIMENSIONS OF SIDE FRAMES (GUILLOTINES)

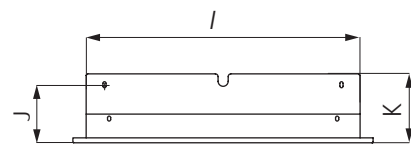
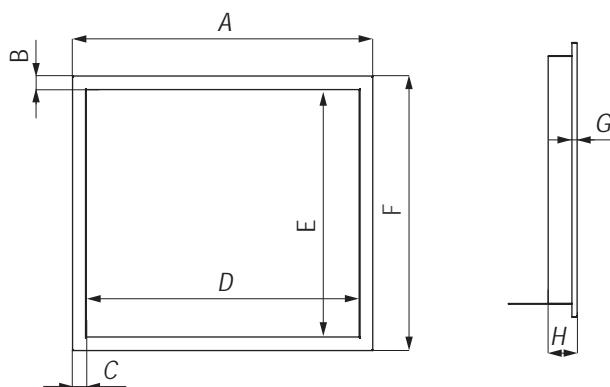
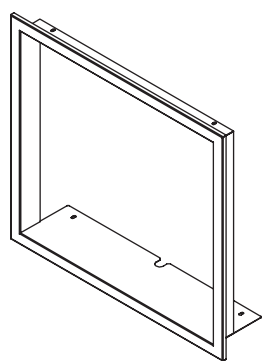
PRIMA SERIES

Specification of the fireplace insert				dimensions given in mm														net price
Name	flange	depth	name	A	B	C	D	E	F	G	H	I	J	K	L	M	N	
PRIMA SM BP MINI G/ PRIMA SM BL MINI G	M 30	shallow	PR.SM.B.MINI.G.MASKOWN.30	359	896	50	50	845	540	96	506	440	100	56	90	118	10	115 €
	M 50	shallow	PR.SM.B.MINI.G.MASKOWN.50	421	798	50	50	676	570	72	543	470	90	50	0	133	10	115 €
	angular	shallow	PR.SM.B.MINI.G.MASKOWN.KAT	421	772	33	34	676	534	62	517	469	100	58	0	132	2	125 €
PRIMA SM BP G / PRIMA SM BL G	M30	shallow	PR.SM.B.G.MASKOWN.30	491	849	30	31	747	600	72	593	540	92	30	0	133	10	115 €
	M50	shallow	PR.SM.B.G.MASKOWN.50	491	869	50	50	747	640	72	614	540	90	50	0	133	10	115 €
	angular	shallow	PR.SM.B.G.MASKOWN. KAT	491	842	33	34	747	605	62	587	539	100	58	0	132	-	125 €
PRIMA ME BP G / PRIMA ME BL G	M30	shallow	PR.ME.B.G.MASKOWN.30	491	1016	30	31	914	600	72	593	540	90	30	0	133	10	120 €
	M 50	shallow	PR.ME.B.G.MASKOWN.50	491	1036	50	50	914	640	72	614	540	90	50	0	133	10	120 €
	angular	shallow	PR.ME.B.G.MASKOWN.KAT	491	1009	33	34	914	605	62	587	539	80	60	0	132	-	130 €

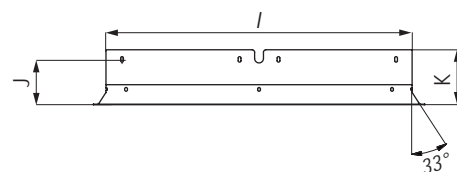
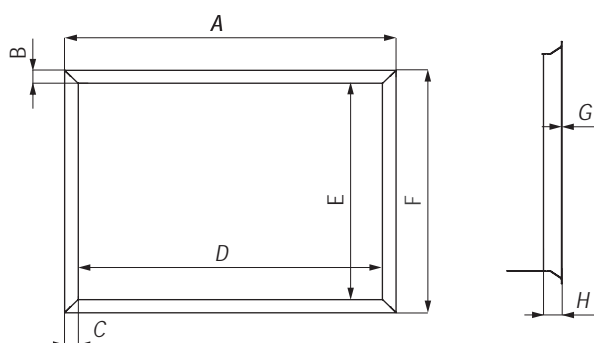
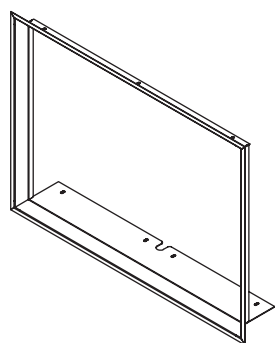
INTRA SERIES

Specification of the fireplace insert				dimensions given in mm														net price
Name	flange	depth	name	A	B	C	D	E	F	G	H	I	J	K	L	M	N	
INTRA SM BP G / INTRA SM BL G	M30	shallow	IN.SM.B.G.MASKOWN.30	346	762	30	31	679	530	55	431	470	74	0	0	117	10	115 €
	M50	shallow	IN.SM.B.G.MASKOWN.50	346	799	50	51	679	570	72	469	470	90	0	0	133	10	115 €
INTRA ME BP G/ INTRA ME BL G	M30	shallow	IN.ME.B.G.MASKOWN.30	345	930	30	30	843	530	55	432	470	65	0	0	117	10	120 €
	M50	shallow	IN.ME.B.G.MASKOWN.50	346	950	50	51	843	570	56	452	470	74	0	0	117	10	120 €

DECORATIVE FRAMES FOR AIR FIREPLACE INSERTS



**GUILLOTINE FRAME
(M30 AND M50 PROFILE)**



**GUILLOTINE FRAME
(ANGULAR PROFILE)**

DIMENSIONS OF STRAIGHT FRAMES (GUILLOTINES)

PRIMA G SERIES

Name	Specification of the fireplace insert			dimensions given in mm											net price
	flange	depth	name	A	B	C	D	E	F	G	H	I	J	K	
PRIMA SM G	M 30	shallow	PR.SM.G.MASKOWN.30	661	30	30	601	544	604	11	63	603	125	140	91 €
	M 50	shallow	PR.SM.G.MAKOWN.50	701	50	50	601	544	644	11	63	603	125	140	91 €
	angular	shallow	PR.SM.G.MASKOWN.KAT	665	33	34	665	591	609	2	47	602	111	138	101 €
PRIMA ME G	M30	shallow	PR.ME.G.MASKOWN.30	828	30	30	769	544	604	11	63	770	126	150	93 €
	M50	shallow	PR.ME.G.MASKOWN.50	868	50	50	768	544	644	11	63	770	124	151	93 €
	angular	shallow	PR.ME.G.MASKOWN.KAT	832	33	33	764	543	609	2	47	768	112	136	103 €
PRIMA LA G	M30	shallow	PR.LA.G.MASKOWN.30	996	30	30	936	544	604	11	63	938	124	140	96 €
	M 50	shallow	PR.LA.G.MASKOWN.50	1036	50	50	936	544	644	11	63	938	124	151	96 €
	angular	shallow	PR.LA.G.MASKOWN.KAT	1001	33	34	933	543	609	2	47	938	112	138	106 €

INTRA SERIES

Name	Specification of the fireplace insert			dimensions given in mm											net price
	flange	depth	name	A	B	C	D	E	F	G	H	I	J	K	
INTRA ME G	M30	shallow	IN.ME.G.MASKOWN.30	828	30	30	768	475	535	11	40	-	100	128	93 €
	M50	shallow	IN.ME.G.MASKOWN.50	868	50	50	768	475	575	11	55	-	115	143	93 €

FRAMES EXAMPLES



**GUILLOTINE FRAME
(M30 FLANGE)**



**SIDE FRAME
(M30 FLANGE)**



ANGULAR FRAME

WATER JACKET INSERTS



RIVA ME BL SHORT



NAVI ME

nominal power	16 kW
water jacket power	8 kW
maximum work pressure	2,0 bar
flue diameter	200 mm
heated area ¹	160-230 m²
efficiency	88 %
CO emision - 13% O₂	0,1 %
flue gas temperature	192°C
chimney draught	12±2 Pa
maximum log length	500 mm
air intake diameter	125 mm
guarantee	5 years
weight	~308 kg
net price	1 614 €

1. Maximum area of heated rooms estimated for unit heat demand in the range of 70 to 100 W/m² and rooms for standard 2,5m height. The given values have been calculated for the minimum power of 30% and maximum power of 100%.



RIVA SM SHORT

BIMSCHV
stufe **2**

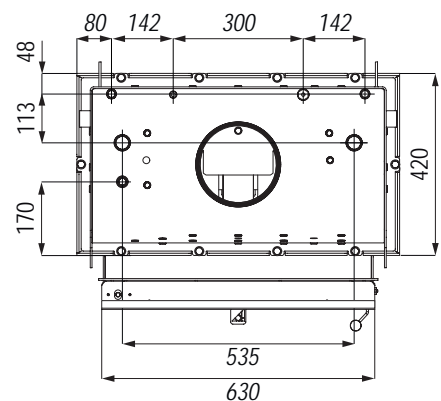
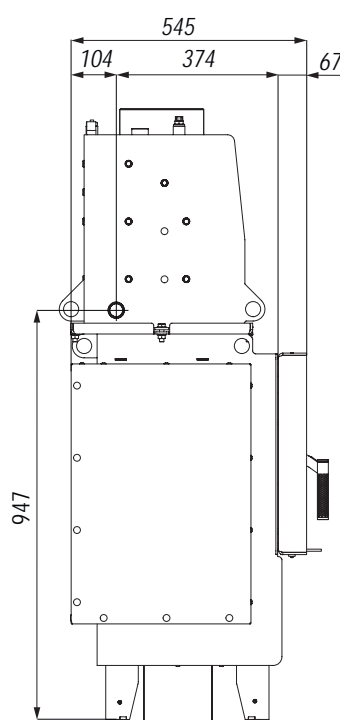
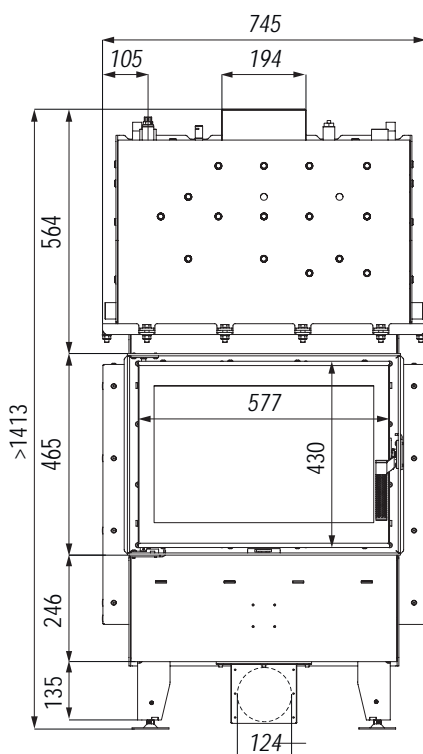


5 YEARS
WARRANTY

2 YEARS
WARRANTY

1 YEAR
WARRANTY

1 YEAR
WARRANTY



Foot adjustment range from 0 to 100 mm.

nominal power	19 kW
water jacket power	9 kW
maximum work pressure	2,0 bar
flue diameter	200 mm
heated area ¹	190-270 m²
efficiency	81 %
CO emission - 13% O₂	0,07 %
flue gas temperature	274°C
chimney draught	12±2 Pa
maximum log length	700 mm
air intake diameter	125 mm
guarantee	5 years
weight	~351 kg
net price	1 786 €

1. Maximum area of heated rooms estimated for unit heat demand in the range of 70 to 100 W/m² and rooms for standard 2,5m height. The given values have been calculated for the minimum power of 30% and maximum power of 100%.



RIVA ME SHORT

BIMSCHV
stufe **2**

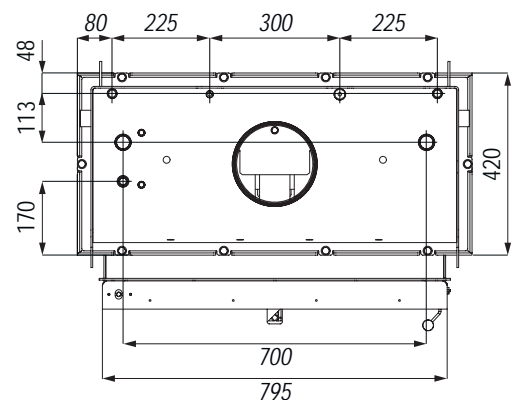
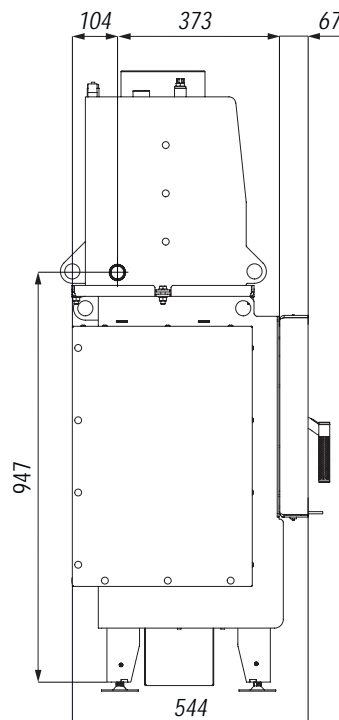
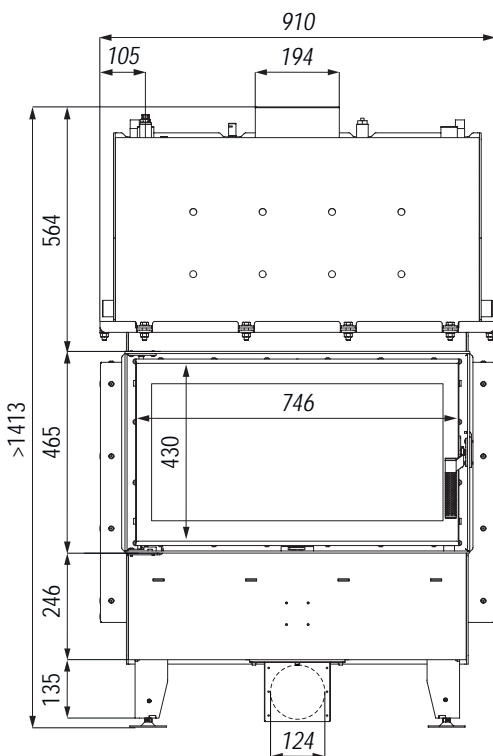


5 YEARS
WARRANTY

2 YEARS
WARRANTY
CERAMITON

1 YEAR
WARRANTY
GRATE

1 YEAR
WARRANTY
DEFLECTOR



Foot adjustment range from 0 to 100 mm.

nominal power	22 kW
water jacket power	12 kW
maximum work pressure	2,0 bar
flue diameter	200 mm
heated area ¹	220-315 m²
efficiency	80,1 %
CO emimision - 13% O₂	0,09 %
flue gas temperature	289°C
chimney draught	12±2 Pa
maximum log length	850 mm
air intake diameter	125 mm
guarantee	5 years
weight	~413 kg
net price	1 995 €

1. Maximum area of heated rooms estimated for unit heat demand in the range of 70 to 100 W/m² and rooms for standard 2,5m height. The given values have been calculated for the minimum power of 30% and maximum power of 100%.



RIVA LA SHORT

BIMSCHV
stufe **2**

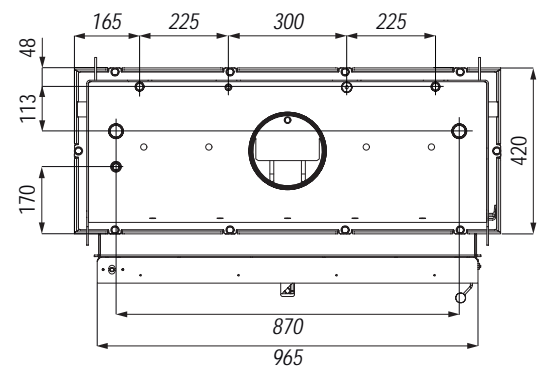
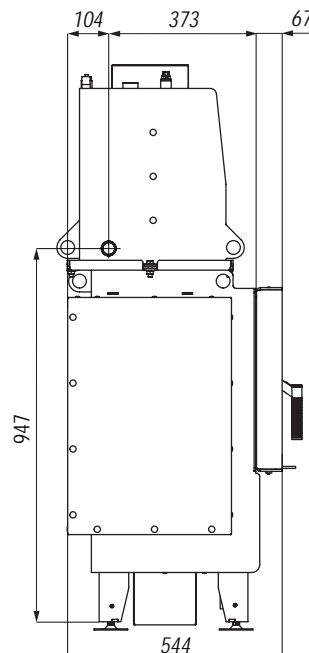
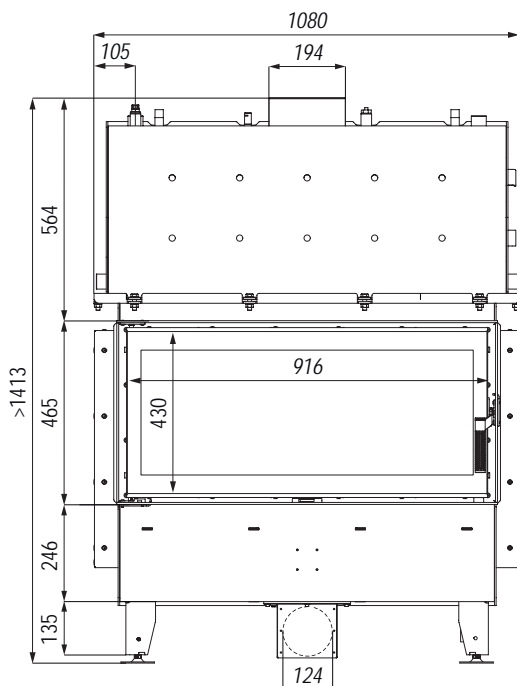


5 YEARS
WARRANTY

2 YEARS
WARRANTY
CERAMITON

1 YEAR
WARRANTY
GRATE

1 YEAR
WARRANTY
DEFLECTOR



Foot adjustment range from 0 to 100 mm.

nominal power	16 kW
water jacket power	8 kW
maximum work pressure	2,0 bar
flue diameter	200 mm
heated area ¹	160-230 m²
efficiency	88 %
CO emission - 13% O₂	0,1 %
flue gas temperature	192°C
chimney draught	12±2 Pa
maximum log length	500 mm
air intake diameter	125 mm
guarantee	5 years
weight	~318 kg
net price	2 170 €

1. Maximum area of heated rooms estimated for unit heat demand in the range of 70 to 100 W/m² and rooms for standard 2,5m height. The given values have been calculated for the minimum power of 30% and maximum power of 100%.



RIVA SM BP SHORT

BIMSCHV
stufe 2

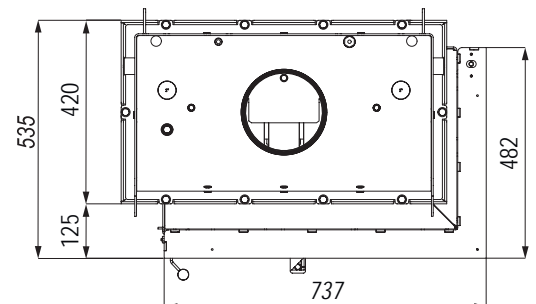
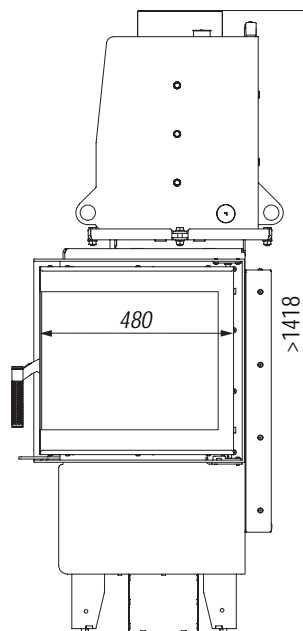
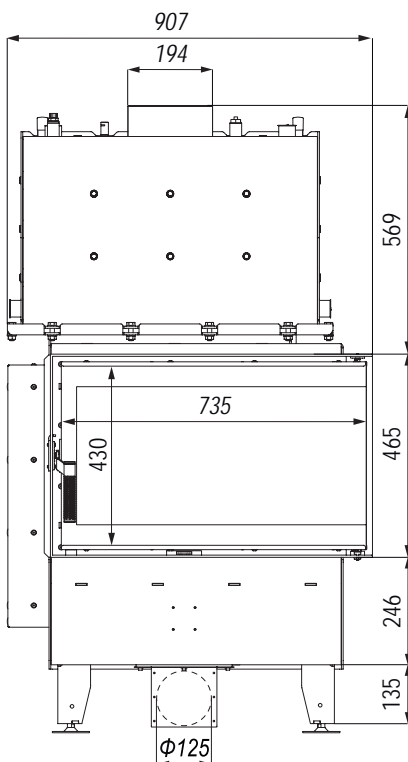


5 YEARS
WARRANTY

2 YEARS
WARRANTY
CERAMITON

1 YEAR
WARRANTY
GRATE

1 YEAR
WARRANTY
DEFLECTOR



Foot adjustment range from 0 to 100 mm.

nominal power	19 kW
water jacket power	9 kW
maximum work pressure	2,0 bar
flue diameter	200 mm
heated area ¹	190-270 m²
efficiency	81 %
CO emission - 13% O₂	0,07 %
flue gas temperature	274°C
chimney draught	12±2 Pa
maximum log length	700 mm
air intake diameter	125 mm
guarantee	5 years
weight	~354 kg
net price	2 381 €

1. Maximum area of heated rooms estimated for unit heat demand in the range of 70 to 100 W/m² and rooms for standard 2,5m height. The given values have been calculated for the minimum power of 30% and maximum power of 100%.



RIVA ME BP SHORT

BIMSCHV
stufe 2

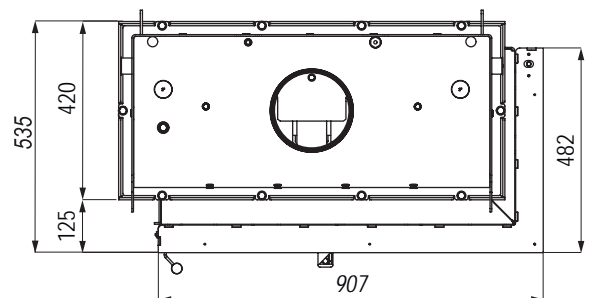
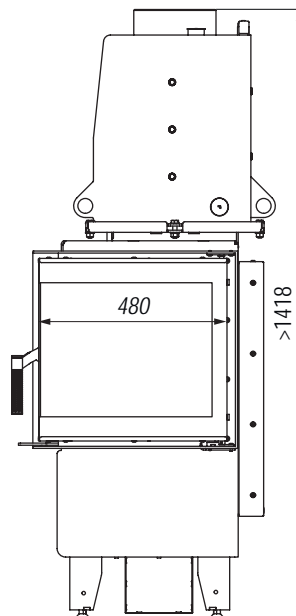
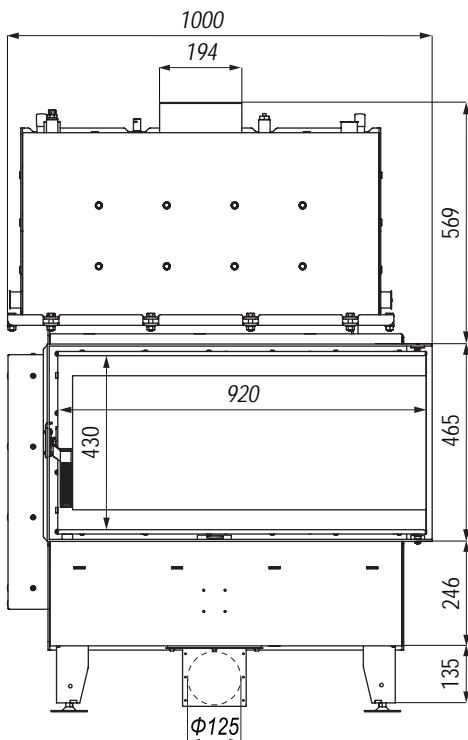


5 YEARS
WARRANTY

2 YEARS
WARRANTY

1 YEAR
WARRANTY

1 YEAR
WARRANTY



Foot adjustment range from 0 to 100 mm.

nominal power	16 kW
water jacket power	8 kW
maximum work pressure	2,0 bar
flue diameter	200 mm
heated area ¹	160-230 m²
efficiency	88 %
CO emission - 13% O₂	0,1 %
flue gas temperature	192°C
chimney draught	12±2 Pa
maximum log length	500 mm
air intake diameter	125 mm
guarantee	5 years
weight	~318 kg
net price	2 170 €

1. Maximum area of heated rooms estimated for unit heat demand in the range of 70 to 100 W/m² and rooms for standard 2,5m height. The given values have been calculated for the minimum power of 30% and maximum power of 100%.



RIVA SM BL SHORT

BIMSCHV
stufe 2

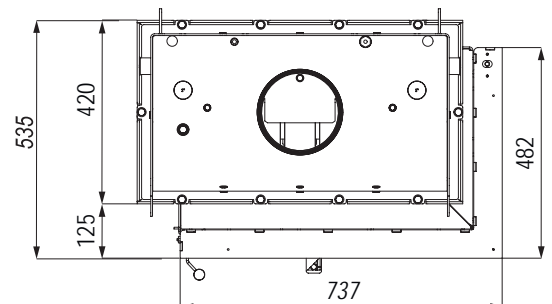
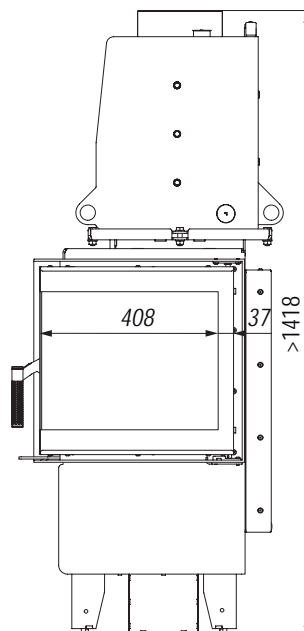
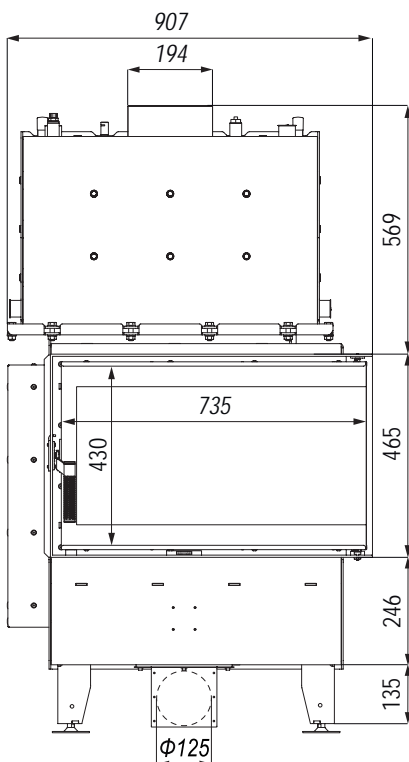


5 YEARS
WARRANTY

2 YEARS
WARRANTY
CERAMITON

1 YEAR
WARRANTY
GRATE

1 YEAR
WARRANTY
DEFLECTOR



dimensions presented on the basis of: **RIVA SM BP SHORT** !

Foot adjustment range from 0 to 100 mm.

nominal power	19 kW
water jacket power	9 kW
maximum work pressure	2,0 bar
flue diameter	200 mm
heated area ¹	190-270 m²
efficiency	81 %
CO emission - 13% O₂	0,07 %
flue gas temperature	274°C
chimney draught	12±2 Pa
maximum log length	700 mm
air intake diameter	125 mm
guarantee	5 years
weight	~354 kg
net price	2 381 €

1. Maximum area of heated rooms estimated for unit heat demand in the range of 70 to 100 W/m² and rooms for standard 2,5m height. The given values have been calculated for the minimum power of 30% and maximum power of 100%.



RIVA ME BL SHORT

BIMSCHV stufe 2

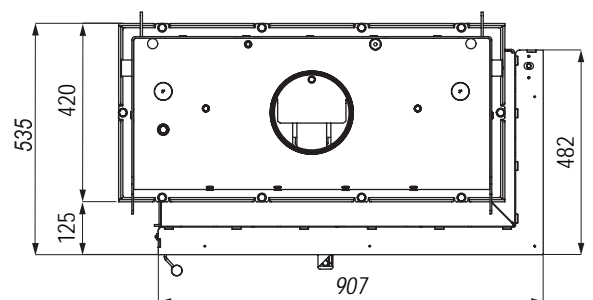
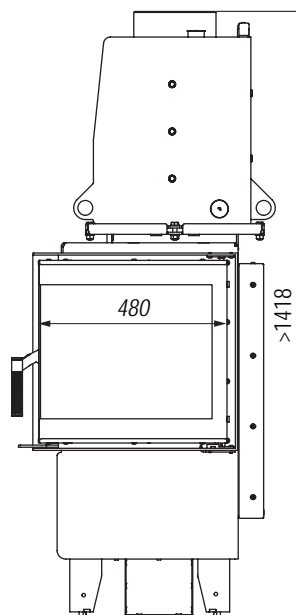
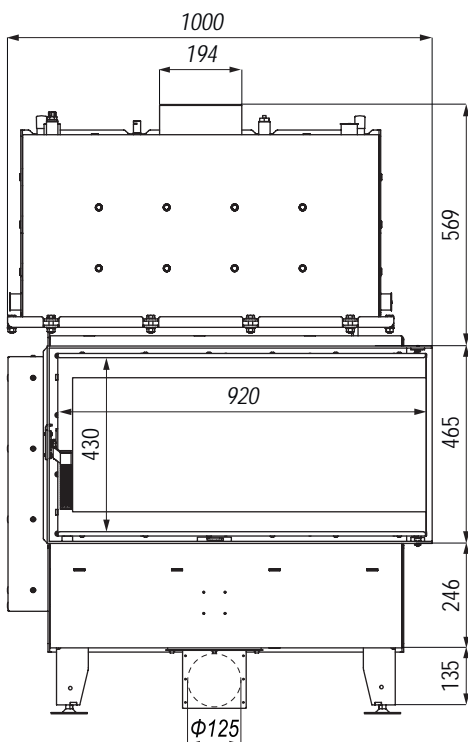


5 YEARS WARRANTY

2 YEARS WARRANTY CERAMITON

1 YEAR WARRANTY GRATE

1 YEAR WARRANTY DEFLECTOR



dimensions presented on the basis of: **RIVA ME BP SHORT** !

Foot adjustment range from 0 to 100 mm.

nominal power	14 kW
water jacket power	10 kW
maximum work pressure	2,0 bar
flue diameter	200 mm
heated area ¹	140-200 m²
efficiency	83,4 %
CO emimision - 13% O₂	0,0546 %
flue gas temperature	197°C
chimney draught	12±2 Pa
maximum log length	500 mm
air intake diameter	125 mm
guarantee	5 years
weight	~280 kg
net price	1 511 €

1. Maximum area of heated rooms estimated for unit heat demand in the range of 70 to 100 W/m² and rooms for standard 2,5m height. The given values have been calculated for the minimum power of 30% and maximum power of 100%.



NAVI SM

BIMSCHV
stufe **2**

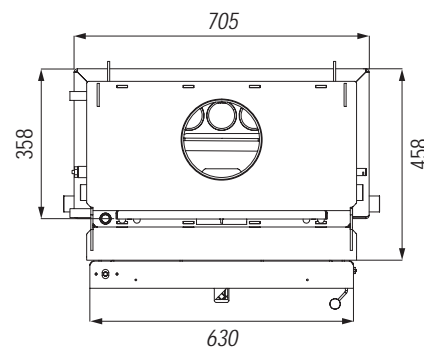
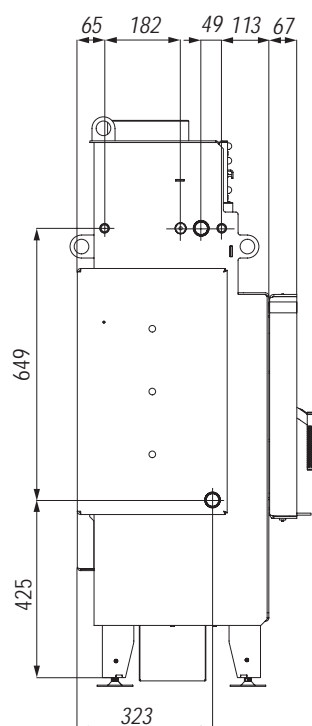
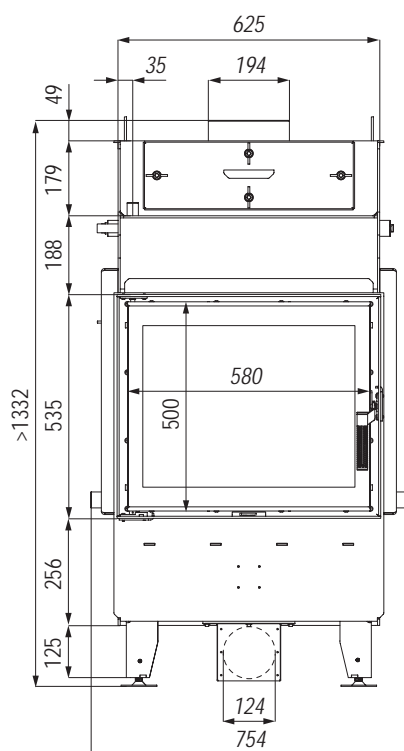


5 YEARS
WARRANTY

2 YEARS
CERAMITON
WARRANTY

1 YEAR
GRATE
WARRANTY

1 YEAR
DEFLECTOR
WARRANTY



Foot adjustment range from 0 to 100 mm.

nominal power	17 kW
water jacket power	10 kW
maximum work pressure	2,0 bar
flue diameter	200 mm
heated area ¹	170-240 m²
efficiency	83,9 %
CO emission - 13% O₂	0,0534 %
flue gas temperature	186°C
chimney draught	12±2 Pa
maximum log length	700 mm
air intake diameter	125 mm
guarantee	5 years
weight	~326 kg
net price	1 623 €

1. Maximum area of heated rooms estimated for unit heat demand in the range of 70 to 100 W/m² and rooms for standard 2,5m height. The given values have been calculated for the minimum power of 30% and maximum power of 100%.



NAVI ME

BIMSCHV
stufe **2**

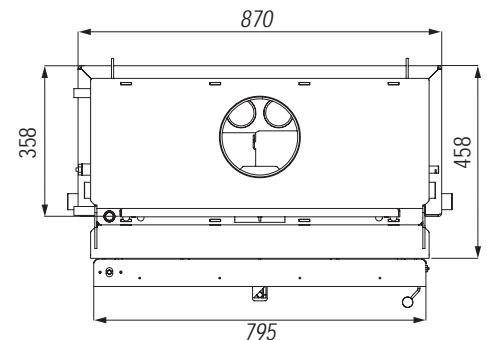
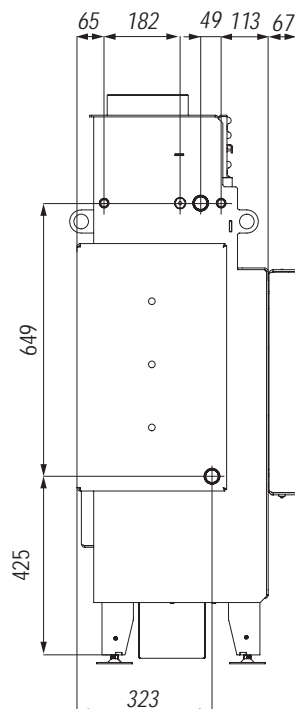
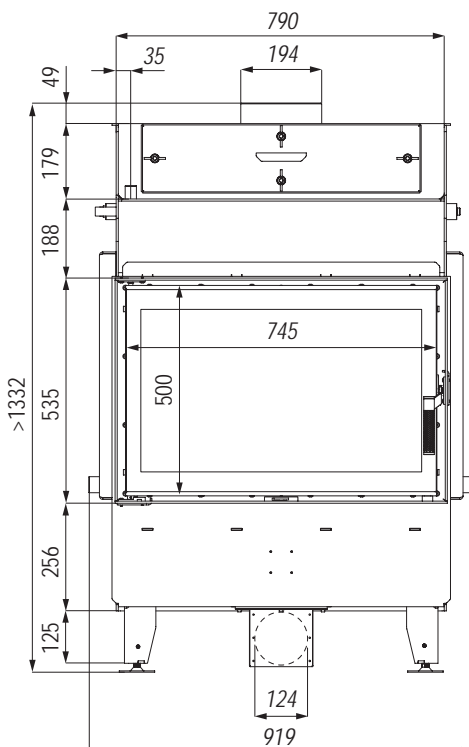


5 YEARS
WARRANTY

2 YEARS
CERAMITON
WARRANTY

1 YEAR
GRATE
WARRANTY

1 YEAR
DEFLECTOR
WARRANTY



Foot adjustment range from 0 to 100 mm.

nominal power	14 kW
water jacket power	10 kW
maximum work pressure	2,0 bar
flue diameter	200 mm
heated area ¹	140-200 m²
efficiency	83,4 %
CO emission - 13% O₂	0,0546 %
flue gas temperature	197°C
chimney draught	12±2 Pa
maximum log length	500 mm
air intake diameter	125 mm
guarantee	5 years
weight	~265 kg
net price	2 119 €

1. Maximum area of heated rooms estimated for unit heat demand in the range of 70 to 100 W/m² and rooms for standard 2,5m height. The given values have been calculated for the minimum power of 30% and maximum power of 100%.



NAVI SM G

BIMSCHV
stufe **2**

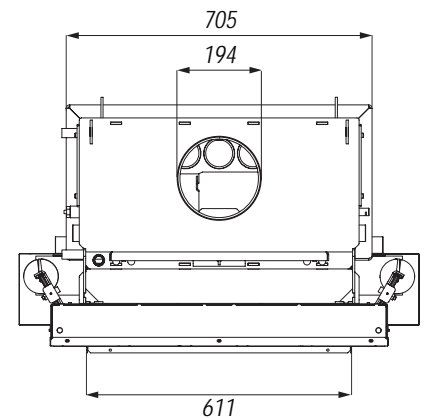
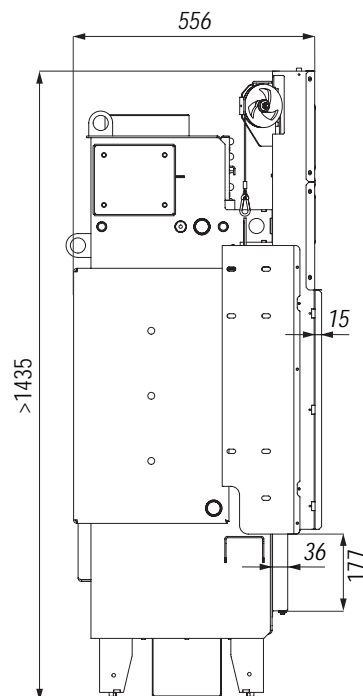
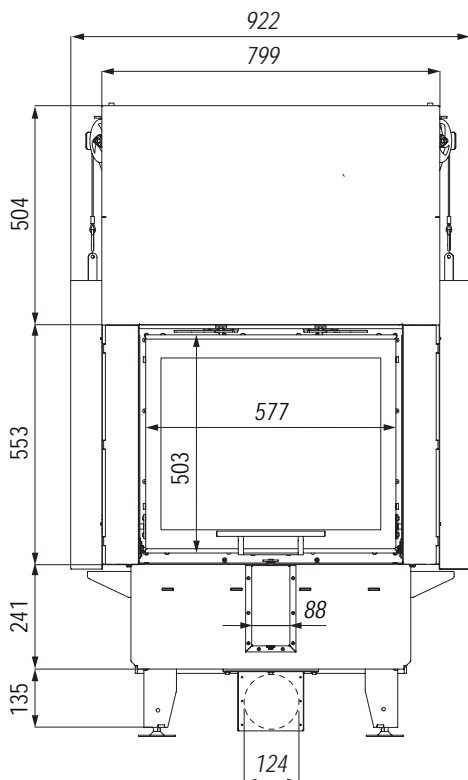


5 YEARS
WARRANTY

2 CERAMITON
YEARS
WARRANTY

1 GRATE
YEAR
WARRANTY

1 DEFLECTOR
YEAR
WARRANTY



Foot adjustment range from 0 to 100 mm.

nominal power	17 kW
water jacket power	10 kW
maximum work pressure	2,0 bar
flue diameter	200 mm
heated area ¹	170-240 m²
efficiency	83,9 %
CO emimision - 13% O₂	0,0534 %
flue gas temperature	186°C
chimney draught	12±2 Pa
maximum log length	700 mm
air intake diameter	125 mm
guarantee	5 years
weight	~315 kg
net price	2 244 €

1. Maximum area of heated rooms estimated for unit heat demand in the range of 70 to 100 W/m² and rooms for standard 2,5m height. The given values have been calculated for the minimum power of 30% and maximum power of 100%.



NAVI ME G

BIMSCHV
stufe **2**

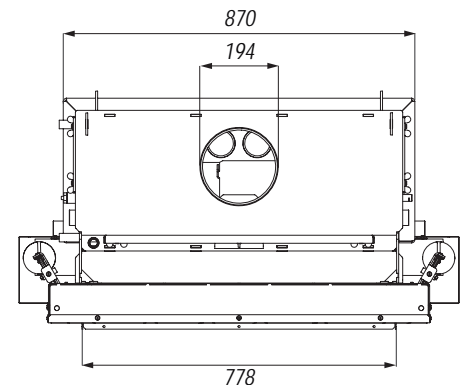
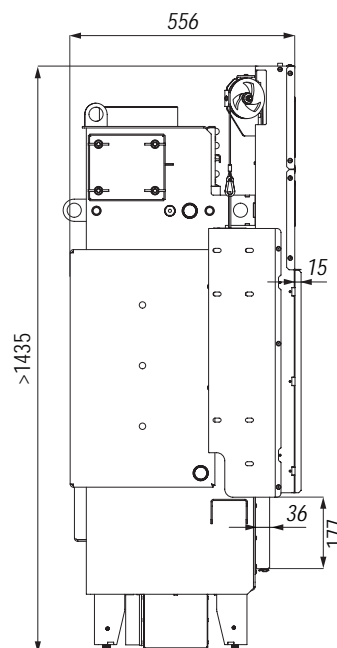
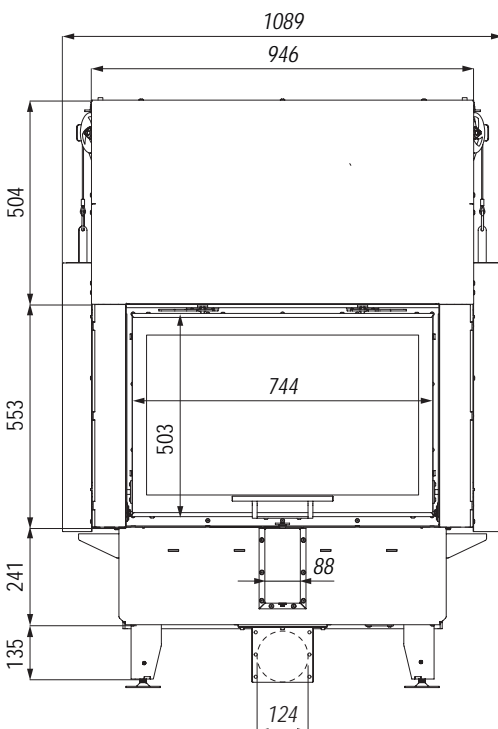


5 YEARS
WARRANTY

2 YEARS
WARRANTY

1 YEAR
WARRANTY

1 YEAR
WARRANTY



Foot adjustment range from 0 to 100 mm.

SURCHARGE FOR ADDITIONAL CONFIGURATION OF FIREPLACE INSERTS

BLACK CERAMITON



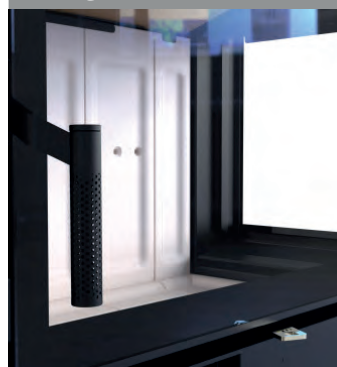
Fireplace insert name	net price
NAVI SM	167 €
NAVI ME	181 €
NAVI SM G	167 €
NAVI ME G	181 €
RIVA SM SHORT	167 €
RIVA ME SHORT	181 €
RIVA LA SHORT	196 €
RIVA SM BL SHORT	167 €
RIVA SM BP SHORT	167 €
RIVA ME BL SHORT	181 €
RIVA ME BP SHORT	181 €

HANDLE ON THE OTHER SIDE



Fireplace insert name	net price
NAVI SM	
NAVI ME	
NAVI SM G	
NAVI ME G	
RIVA SM SHORT	
RIVA ME SHORT	122 €
RIVA LA SHORT	
RIVA SM BL SHORT	
RIVA SM BP SHORT	
RIVA ME BL SHORT	
RIVA ME BP SHORT	

BLACK HANDLE



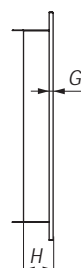
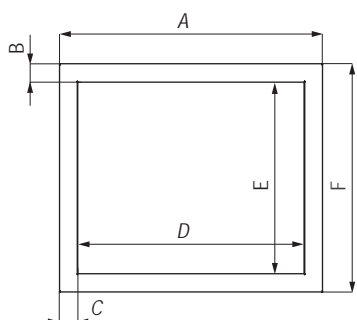
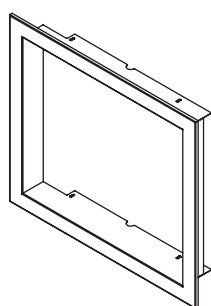
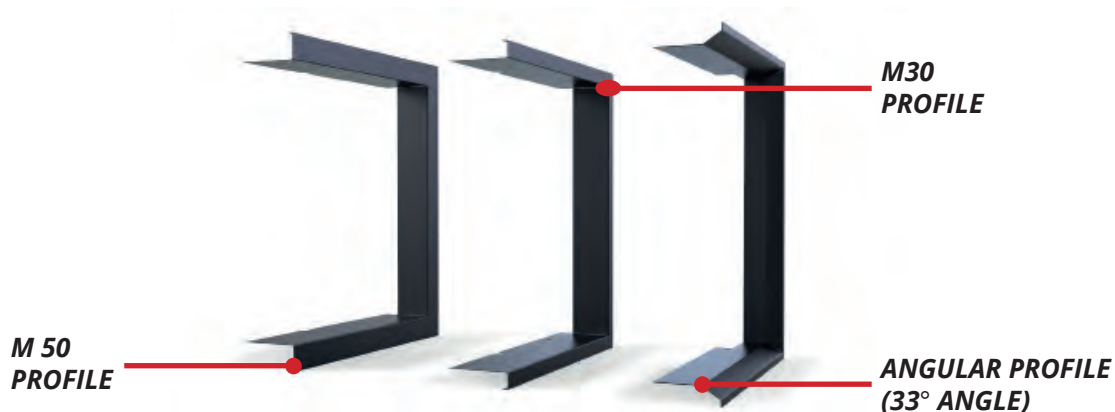
Fireplace insert name	net price
NAVI SM	
NAVI ME	
NAVI SM G	
NAVI ME G	
RIVA SM SHORT	
RIVA ME SHORT	24 €
RIVA LA SHORT	
RIVA SM BL SHORT	
RIVA SM BP SHORT	
RIVA ME BL SHORT	
RIVA ME BP SHORT	

DOUBLE GLASS

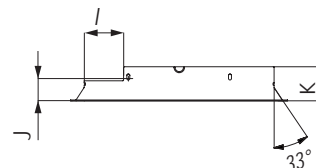
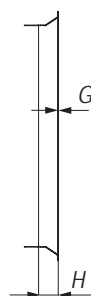
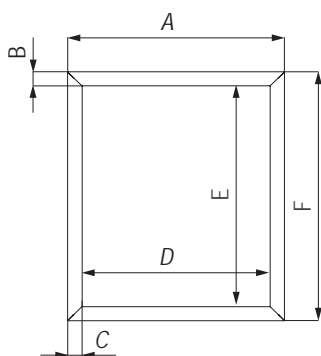
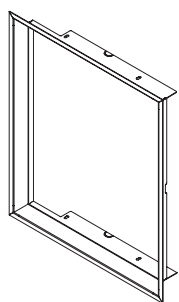


Fireplace insert name	net price
NAVI SM	184 €
NAVI ME	208 €
NAVI SM G	184 €
NAVI ME G	208 €
RIVA SM SHORT	184 €
RIVA ME SHORT	208 €
RIVA LA SHORT	233 €
RIVA SM BL SHORT	-
RIVA SM BP SHORT	-
RIVA ME BL SHORT	-
RIVA ME BP SHORT	-

DECORATIVE FRAMES FOR WATER JACKET FIREPLACE INSERTS



STRAIGHT FRAME
(M30 AND M50 PROFILE)



STRAIGHT FRAME
(ANGULAR PROFILE)

DIMENSIONS OF STRAIGHT FRAMES

NAVI SERIES

Specification of the fireplace insert				dimensions given in mm											
Name	flange	depth	name	A	B	C	D	E	F	G	H	I	J	K	net price
NAVI SM	M30	shallow	NV.SM.MASKOWN.30	676	30	30	616	521	581	11	81	92	86	111	81 €
	M50	shallow	NV.SM.MASKOWN.50	716	50	50	616	521	621	11	81	92	86	111	81 €
	angular	shallow	NV.SM.MASKOWN.KAT.N.GŁ	681	33	34	613	450	516	2	74	92	90	107	91 €
deep		NV.SM.MASKOWN.KAT.W.GŁ	681	33	34	613	520	586	2	74	92	80	107	91 €	
NAVI ME	M30	shallow	NV.ME.MASKOWN.30	841	30	30	781	521	581	11	81	90	86	111	83 €
	M50	shallow	NV.ME.MASKOWN.50	881	50	50	781	521	621	11	81	92	86	111	83 €
	angular	shallow	NV.ME.MASKOWN.KAT.N.GŁ	846	33	34	778	450	516	2	47	100	80	107	93 €
deep		NV.ME.MASKOWN.KAT.W.GŁ	846	33	34	778	520	586	2	47	100	88	107	93 €	

RIVA SERIES

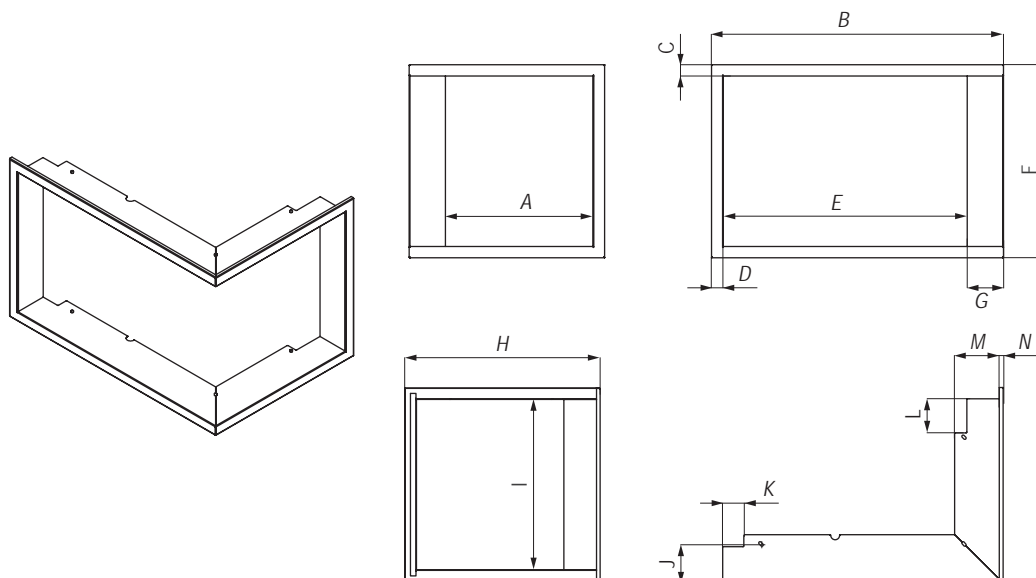
Specification of the fireplace insert				dimensions given in mm											
Name	flange	depth	name	A	B	C	D	E	F	G	H	I	J	K	net price
RIVA SM SHORT	M30	shallow	RV.SM.MASKOWN.30	676	30	30	616	451	511	11	81	94	86	111	81 €
	M50	shallow	RV.SM.MASKOWN.50	716	50	50	619	451	551	11	81	92	81	138	81 €
RIVA ME SHORT	M30	shallow	RV.ME.MASKOWN.30	841	30	30	783	451	511	11	81	92	86	111	83 €
	M50	shallow	RV.ME.MASKOWN.50	881	50	50	781	451	551	11	81	92	86	111	83 €
RIVA LA SHORT	M30	shallow	RV.LA.MASKOWN.30	1011	30	30	954	451	511	11	81	92	86	111	86 €
	M50	shallow	RV.LA.MASKOWN.50	1051	50	50	954	451	551	11	81	92	86	111	86 €

DIMENSIONS OF STRAIGHT FRAMES (GUILLOTINES)

NAVI G SERIES

Specification of the fireplace insert				dimensions given in mm											
Name	flange	depth	name	A	B	C	D	E	F	G	H	I	J	K	net price
NAVI SM G	M 30	shallow	NV.SM.G.MASKOWN.30	661	30	30	601	544	604	11	63	603	125	140	81 €
	M 50	shallow	NV.SM.G.MAKOWN.50	701	50	50	601	544	644	11	63	603	125	140	81 €
	angular	shallow	NV.SM.G.MASKOWN.KAT	665	33	34	665	591	609	2	47	602	111	138	91 €
NAVI ME G	M30	shallow	NV.ME.G.MASKOWN.30	828	30	30	769	544	604	11	63	770	126	150	83 €
	M50	shallow	NV.ME.G.MASKOWN.50	868	50	50	768	544	644	11	63	770	124	151	83 €
	angular	shallow	NV.ME.G.MASKOWN.KAT	832	33	33	764	543	609	2	47	768	112	136	93 €

DECORATIVE FRAMES FOR WATER JACKET FIREPLACE INSERTS



DIMENSIONS OF SIDE FRAMES

RIVA B SERIES

Specification of the fireplace insert				dimensions given in mm														net price
Name	flange	depth	name	A	B	C	D	E	F	G	H	I	J	K	L	M	N	
RIVA SM BP SHORT / RIVA SM BL SHORT	M 30	shallow	RV.SM.B.MASKOWN.30	460	842	30	31	715	511	96	587	451	100	56	92	118	10	105 €
	M 50	shallow	RV.SM.B.MASKOWN.50	460	862	50	50	715	551	96	607	451	100	56	92	118	10	105 €
RIVA ME BP SHORT / RIVA ME BL SHORT	M30	shallow	RV.SM.B.MASKOWN.30	460	1012	30	31	885	511	96	587	451	100	56	92	118	10	115 €
	M50	shallow	RV.ME.B.MASKOWN.50	460	1032	50	51	885	551	96	605	451	100	56	92	118	10	115 €

EXAMPLE FRAMES



**GUILLOTINE FRAME
(FLANGE M30)**



**SIDE FRAME
(FLANGE M30)**



ANGULAR FRAME



**ANGULAR
SIDE FRAME**



**GUILLOTINE FRAME
(FLANGE M50)**



**STRAIGHT FRAME
(FLANGE M50)**

WOOD STOVES



nominal power	9 kW
flue diameter	148 mm
efficiency	75,5 %
heated area ¹	90-130 m²
CO emission - 13% O₂	0,09 %
flue gas temperature	310°C
chimney draught	12±2 Pa
maximum log length	400 mm
air intake diameter	125 mm
guarantee	5 years
weight	~176 kg
net price	1 229 €



1. Maximum area of heated rooms estimated for unit heat demand in the range of 70 to 100 W/m² and rooms for standard 2,5m height. The given values have been calculated for the minimum power of 30% and maximum power of 100%. The range of the device height adjustment from 20 to 40 mm.

ORBIS

BIMSCHV
stufe **2**



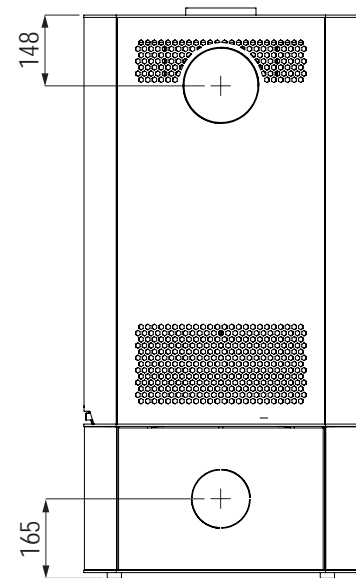
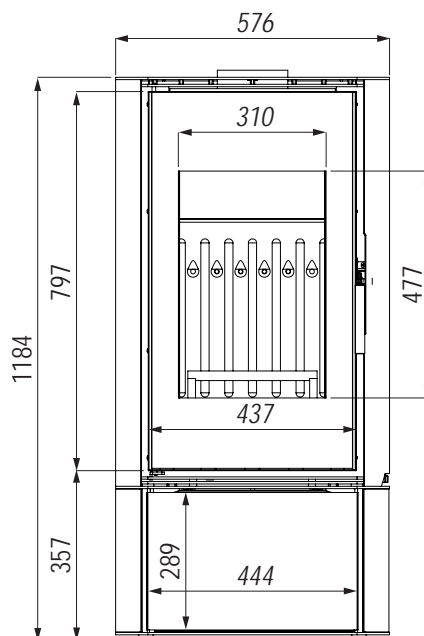
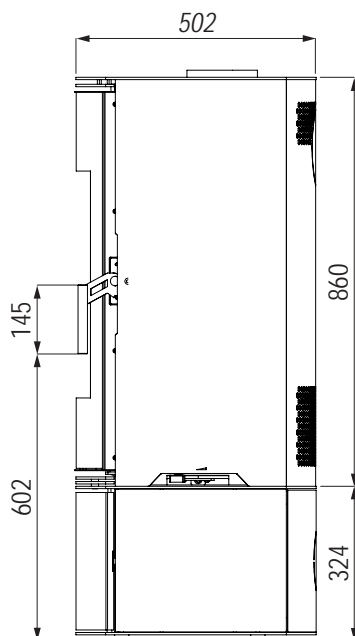
5 YEARS
WARRANTY

2 YEARS
WARRANTY
CERAMITON

1 YEAR
WARRANTY
GRATE

1 YEAR
WARRANTY
DEFLECTOR

Color versions:



nominal power	9 kW
flue diameter	148 mm
efficiency	75,5 %
heated area ¹	90-130 m²
CO emimision - 13% O₂	0,09 %
flue gas temperature	310°C
chimney draught	12±2 Pa
maximum log length	400 mm
air intake diameter	125 mm
guarantee	5 years
weight	~172 kg
net price	1 229 €



1. Maximum area of heated rooms estimated for unit heat demand in the range of 70 to 100 W/m² and rooms for standard 2,5m height. The given values have been calculated for the minimum power of 30% and maximum power of 100%. The range of the device height adjustment from 20 to 40 mm.

ORBIS LOG

BIMSCHV
stufe **2**



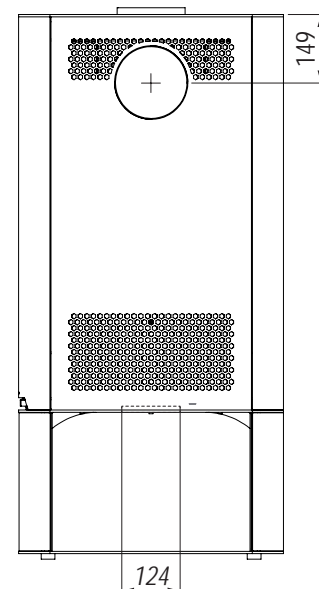
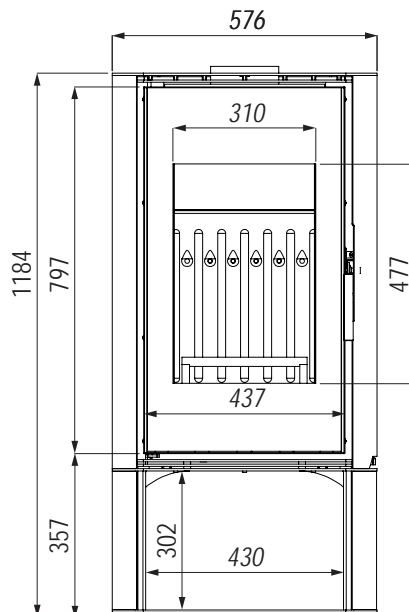
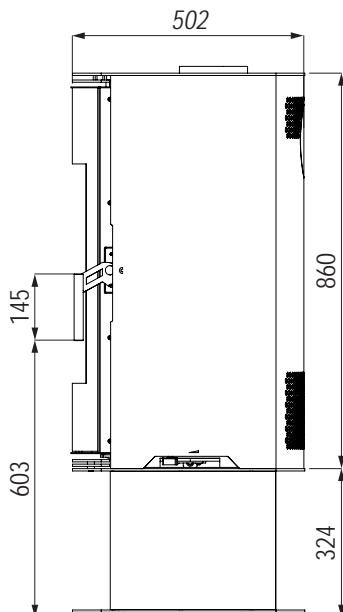
5 YEARS
WARRANTY

2 CERAMITON
YEARS
WARRANTY

1 GRATE
YEAR
WARRANTY

1 DEFLECTOR
YEAR
WARRANTY

Color versions:



nominal power	9 kW
flue diameter	148 mm
efficiency	75,5 %
heated area ¹	90-130 m²
CO emission - 13% O₂	0,09 %
flue gas temperature	310°C
chimney draught	12±2 Pa
maximum log length	400 mm
air intake diameter	125 mm
guarantee	5 years
weight	~174 kg
net price	1 229 €



ORBIS TOP

1. Maximum area of heated rooms estimated for unit heat demand in the range of 70 to 100 W/m² and rooms for standard 2,5m height. The given values have been calculated for the minimum power of 30% and maximum power of 100%..

BIMSCHV
stufe **2**



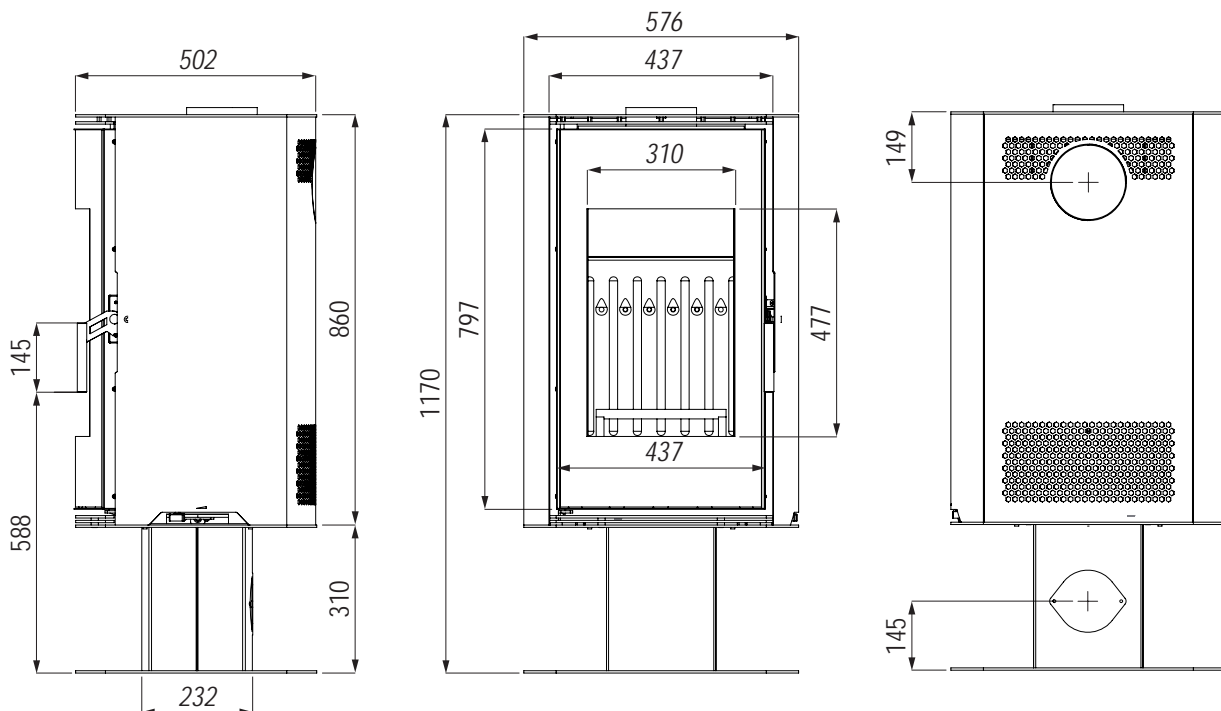
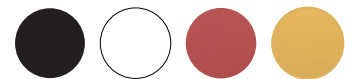
5 YEARS
WARRANTY

2 YEARS
WARRANTY

1 YEAR
WARRANTY

1 YEAR
WARRANTY

Color versions:



nominal power	9 kW
flue diameter	148 mm
efficiency	75,5 %
heated area ¹	90-130 m²
CO emission - 13% O₂	0,09 %
flue gas temperature	310°C
chimney draught	12±2 Pa
maximum log length	400 mm
air intake diameter	125 mm
guarantee	5 years
weight	~157 kg
net price	949 €



1. Maximum area of heated rooms estimated for unit heat demand in the range of 70 to 100 W/m² and rooms for standard 2,5m height. The given values have been calculated for the minimum power of 30% and maximum power of 100%. The range of the device height adjustment from 20 to 40 mm.

SOLUM

BIMSCHV
stufe **2**



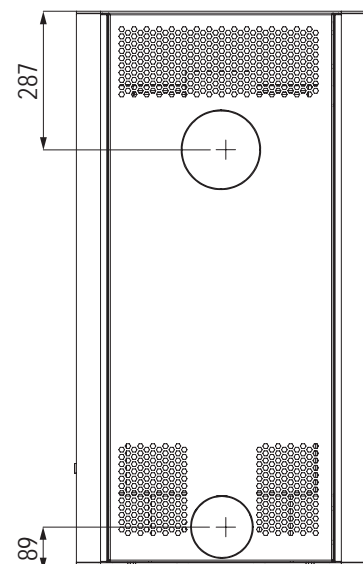
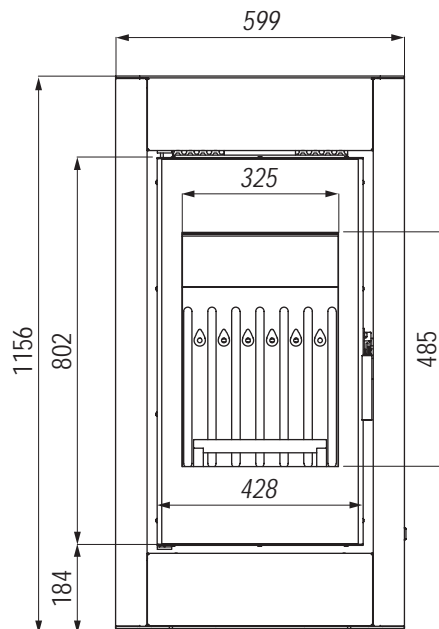
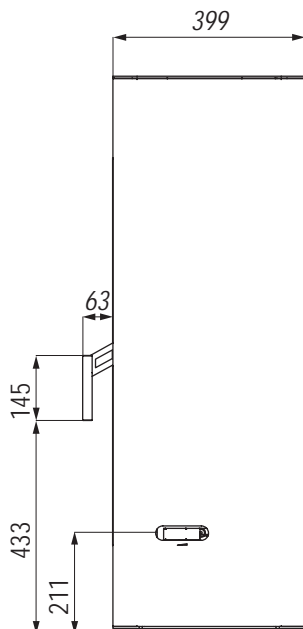
5 YEARS
WARRANTY

2 YEARS
WARRANTY
CERAMITON

1 YEAR
WARRANTY
GRATE

1 YEAR
WARRANTY
DEFLECTOR

Color versions:



nominal power	9 kW
flue diameter	148 mm
efficiency	75,5 %
heated area ¹	90-130 m²
CO emission - 13% O₂	0,09 %
flue gas temperature	310°C
chimney draught	12±2 Pa
maximum log length	400 mm
air intake diameter	125 mm
guarantee	5 years
weight	~161 kg
net price	949 €



1. Maximum area of heated rooms estimated for unit heat demand in the range of 70 to 100 W/m² and rooms for standard 2,5m height. The given values have been calculated for the minimum power of 30% and maximum power of 100%..

SOLUM TOP

BIMSCHV
stufe 2



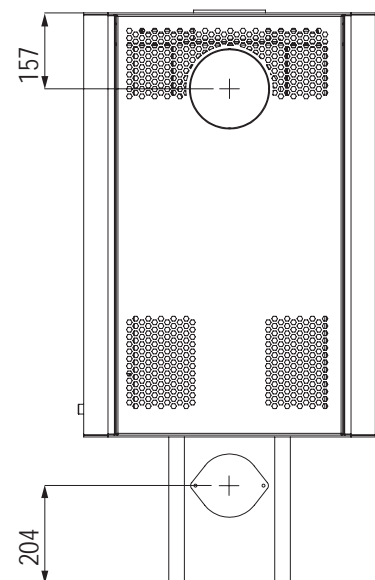
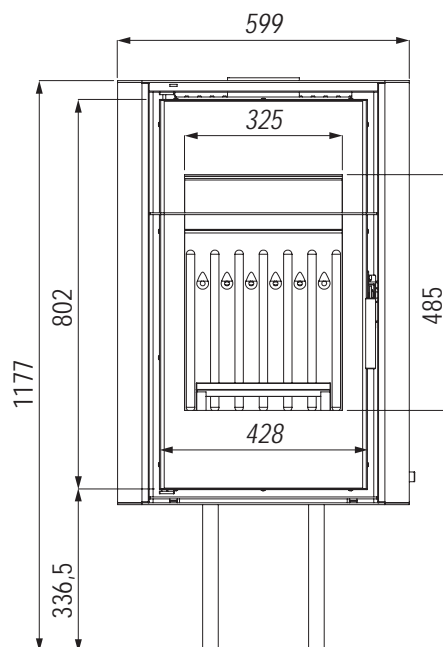
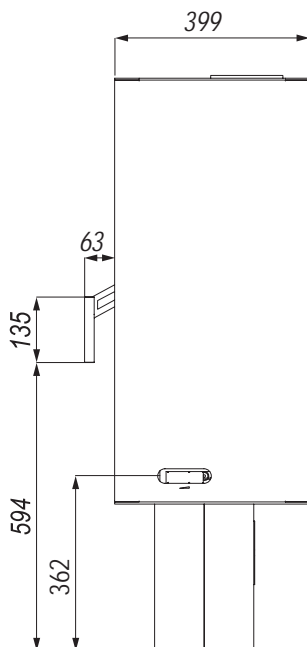
5 YEARS
WARRANTY

2 YEARS
WARRANTY
CERAMITON

1 YEAR
WARRANTY
GRATE

1 YEAR
WARRANTY
DEFLECTOR

Color versions:



nominal power	9 kW
flue diameter	148 mm
efficiency	75,5 %
heated area ¹	90-130 m²
CO emission - 13% O₂	0,09 %
flue gas temperature	310°C
chimney draught	12±2 Pa
maximum log length	400 mm
air intake diameter	125 mm
guarantee	5 years
weight	~165 kg
net price	949 €



1. Maximum area of heated rooms estimated for unit heat demand in the range of 70 to 100 W/m² and rooms for standard 2,5m height. The given values have been calculated for the minimum power of 30% and maximum power of 100%. The range of the device height adjustment from 20 to 40 mm.

SOLUM LOG

BIMSCHV
stufe 2



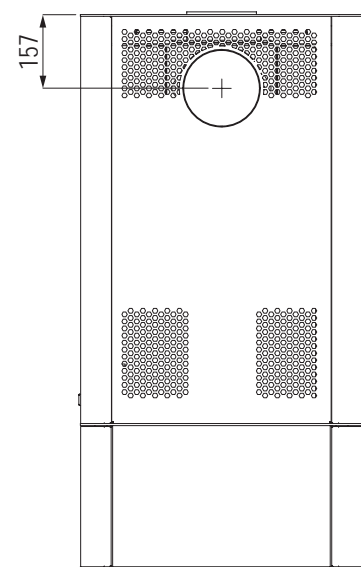
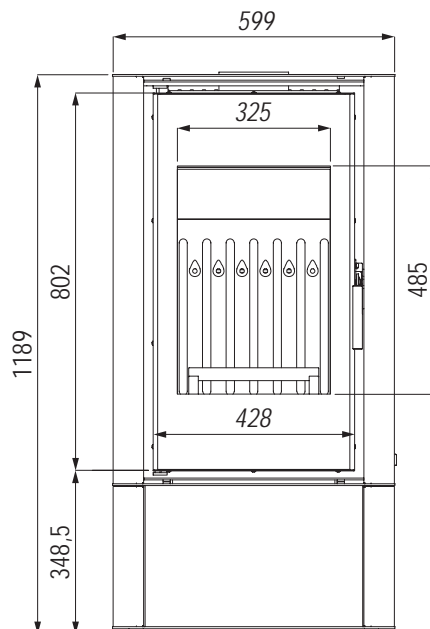
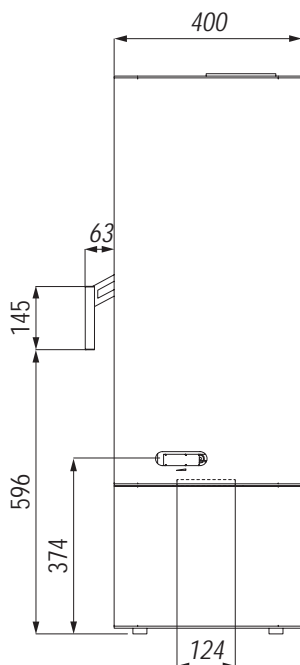
5 YEARS WARRANTY

2 CERAMITON YEARS WARRANTY

1 GRATE YEAR WARRANTY

1 DEFLECTOR YEAR WARRANTY

Color versions:



nominal power	9 kW
flue diameter	148 mm
efficiency	75,5 %
heated area ¹	90-130 m²
CO emission - 13% O₂	0,09 %
flue gas temperature	310°C
chimney draught	12±2 Pa
maximum log length	400 mm
air intake diameter	125 mm
guarantee	5 years
weight	~152 kg
net price	1 061 €



1. Maximum area of heated rooms estimated for unit heat demand in the range of 70 to 100 W/m² and rooms for standard 2,5m height. The given values have been calculated for the minimum power of 30% and maximum power of 100%. The range of the device height adjustment from 20 to 40 mm.

IGNIS

BIMSCHV
stufe **2**



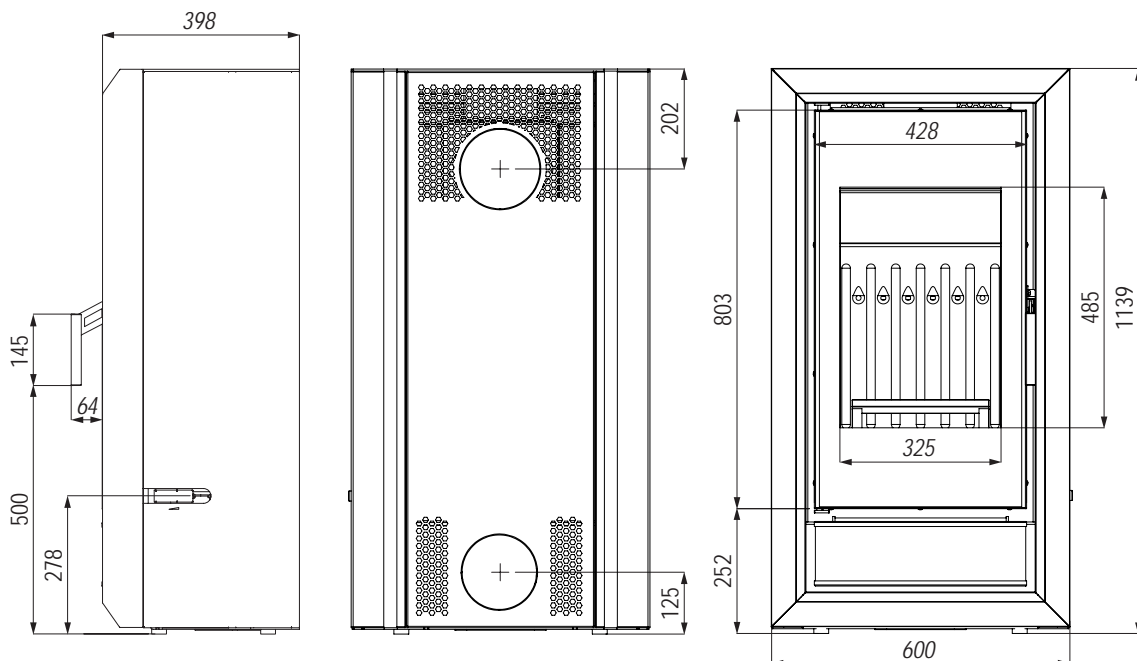
5 YEARS
WARRANTY

2 YEARS
WARRANTY
CERAMITON

1 YEAR
WARRANTY
GRATE

1 YEAR
WARRANTY
DEFLECTOR

Color versions:





nominal power	10 kW
flue diameter	148 mm
efficiency	70,1 %
heated area ¹	100-140 m²
CO emission - 13% O₂	0,09 %
flue gas temperature	357°C
chimney draught	12±2 Pa
maximum log length	400 mm
air intake diameter	125 mm
guarantee	5 years
weight	~214 kg
net price	1 312 €

1. Maximum area of heated rooms estimated for unit heat demand in the range of 70 to 100 W/m² and rooms for standard 2,5m height. The given values have been calculated for the minimum power of 30% and maximum power of 100%. The range of the device height adjustment from 20 to 40 mm.

CUBE



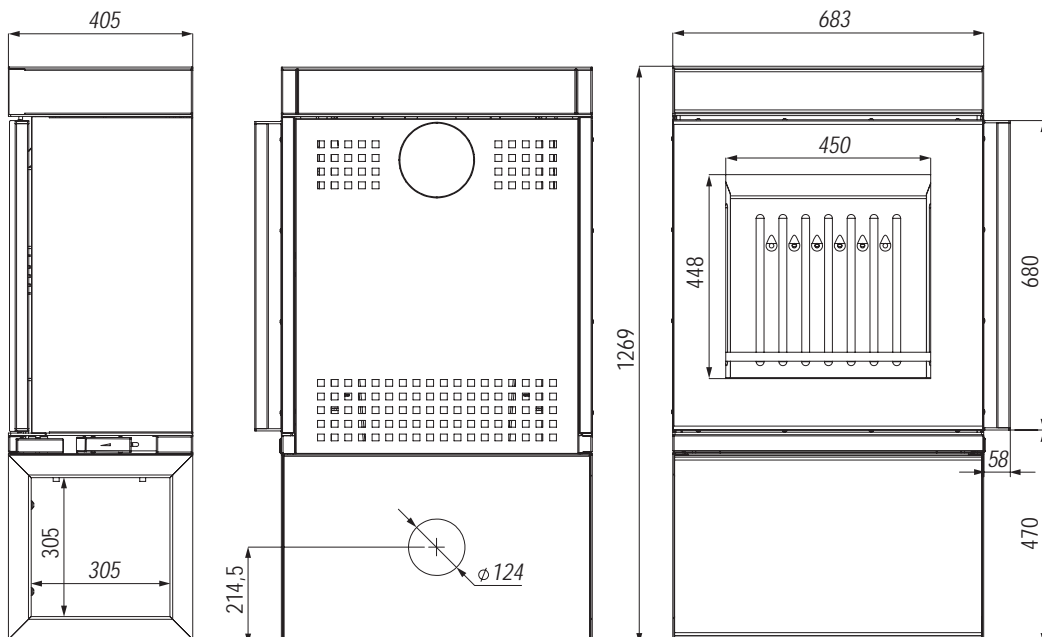
5 YEARS
WARRANTY

2 YEARS
WARRANTY
CERAMITON

1 YEAR
WARRANTY
GRATE

1 YEAR
WARRANTY
DEFLECTOR

Color versions:



nominal power	9 kW
flue diameter	148 mm
efficiency	75,5 %
heated area ¹	90-130 m²
CO emission - 13% O₂	0,09 %
flue gas temperature	310°C
chimney draught	12±2 Pa
maximum log length	400 mm
air intake diameter	125 mm
guarantee	5 years
weight	~170 kg
net price	1 219 €



1. Maximum area of heated rooms estimated for unit heat demand in the range of 70 to 100 W/m² and rooms for standard 2,5m height. The given values have been calculated for the minimum power of 30% and maximum power of 100%.. The range of the device height adjustment from 20 to 40 mm.

ORTI

BIMSCHV
stufe **2**



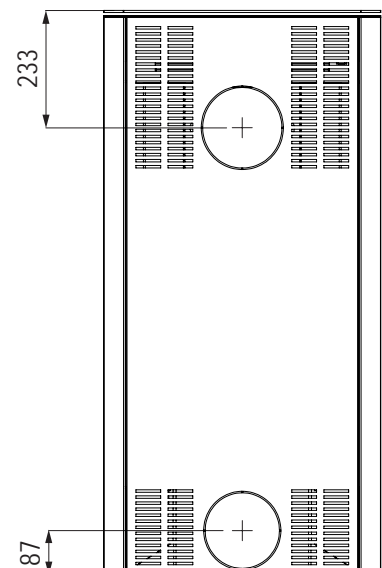
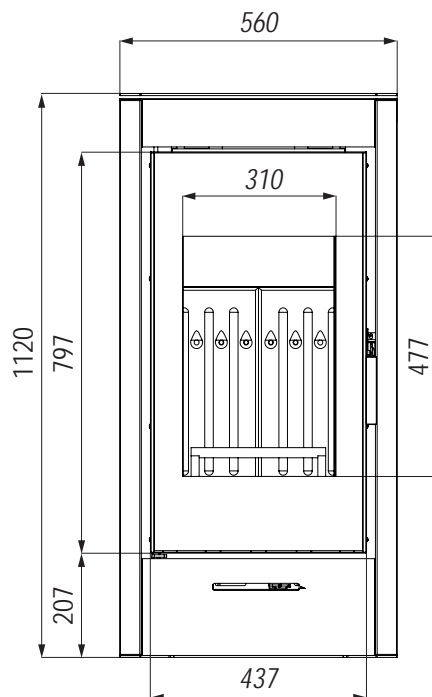
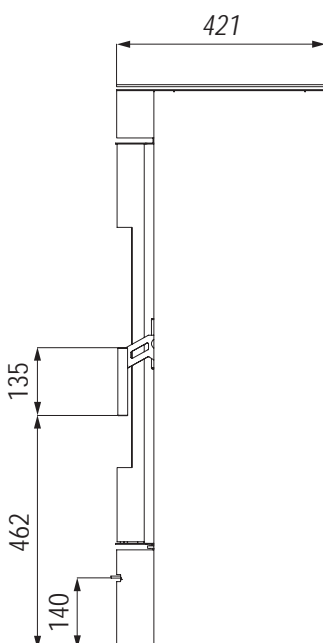
5 YEARS
WARRANTY

2 YEARS
WARRANTY
CERAMITON

1 YEAR
WARRANTY
GRATE

1 YEAR
WARRANTY
DEFLECTOR

Color versions:



nominal power	9 kW
flue diameter	148 mm
efficiency	75,5 %
heated area ¹	90-130 m²
CO emission - 13% O₂	0,09 %
flue gas temperature	310°C
chimney draught	12±2 Pa
maximum log length	400 mm
air intake diameter	125 mm
guarantee	5 years
weight	~170 kg
net price	1 291 €



1. Maximum area of heated rooms estimated for unit heat demand in the range of 70 to 100 W/m² and rooms for standard 2,5m height. The given values have been calculated for the minimum power of 30% and maximum power of 100%. The range of the device height adjustment from 20 to 40 mm.

OVAL

BIMSCHV
stufe **2**



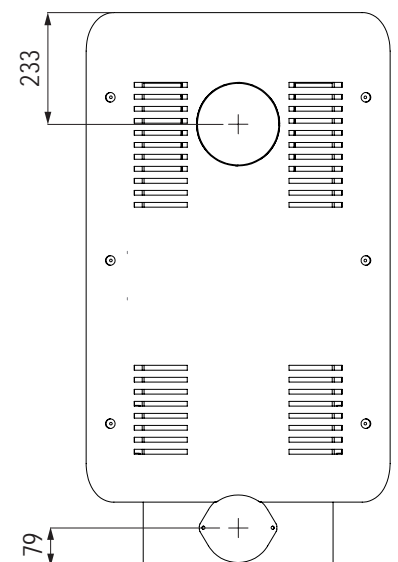
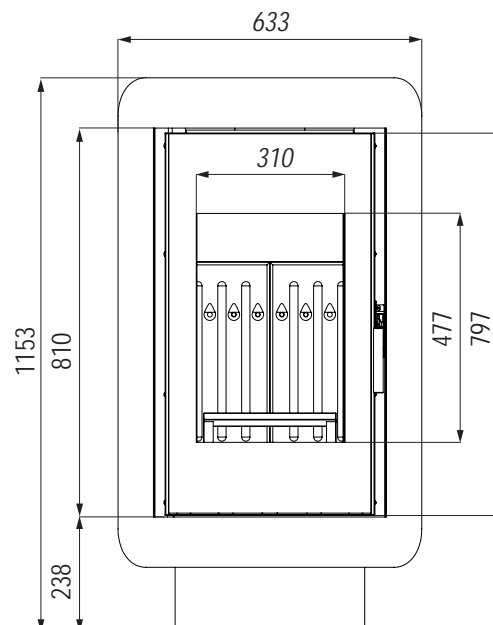
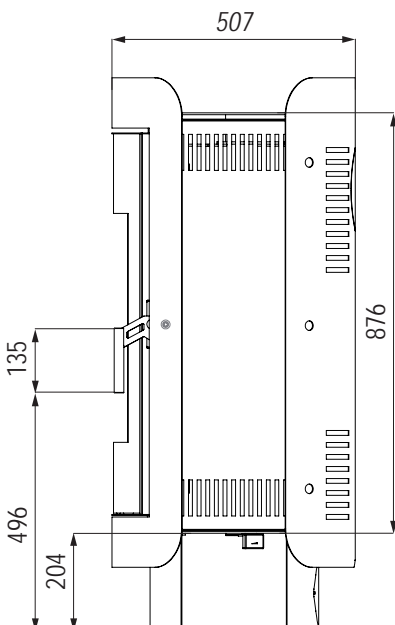
5 YEARS
WARRANTY

2 YEARS
CERAMITON
WARRANTY

1 YEAR
GRATE
WARRANTY

1 YEAR
DEFLECTOR
WARRANTY

Color versions:



SURCHARGE FOR ADDITIONAL CONFIGURATION OF WOOD BURNING STOVES

BLACK CERAMITON



Device name	net price
ORBIS LOG	152 €
ORBIS	
ORBIS TOP	
SOLUM LOG	
SOLUM	
SOLUM TOP	
IGNIS	
CUBE	
ORTI	
OVAL	

SILVER HANDLE



Device name	net price
ORBIS LOG	24 €
ORBIS	
ORBIS TOP	
SOLUM LOG	
SOLUM	
SOLUM TOP	
IGNIS	
CUBE	
ORTI	
OVAL	

COLOR CONFIGURATION OF WOOD BURNING STOVES



WHITE



GOLD



RED



BLACK

! Optional colors are presented on the example of the wood burning stove IGNIS. The colors shown for technical reasons may differ from the actual ones.

COLOR CONFIGURATION (basic version in black painting)

Device name	black	red	gold	white
ORBIS LOG	standard	+ 73 € net	+ 73 € net	+ 73 € net
ORBIS				
ORBIS TOP				
SOLUM LOG				
SOLUM				
SOLUM TOP				
IGNIS		-	-	-
CUBE				
ORTI				
OVAL				

PELLET STOVES



nominal power	9 kW
power range	5-9 kW
maximum power consumption	583 W
flue diameter	80 mm
efficiency	84,5 %
heated area ¹	90-130 m²
CO emission - 13% O₂	0,0078 %
flue gas temperature	138°C
chimney draught	12±2 Pa
fuel tank capacity	30 kg
guarantee	2 years
weight	~152 kg
net price	1 745 €

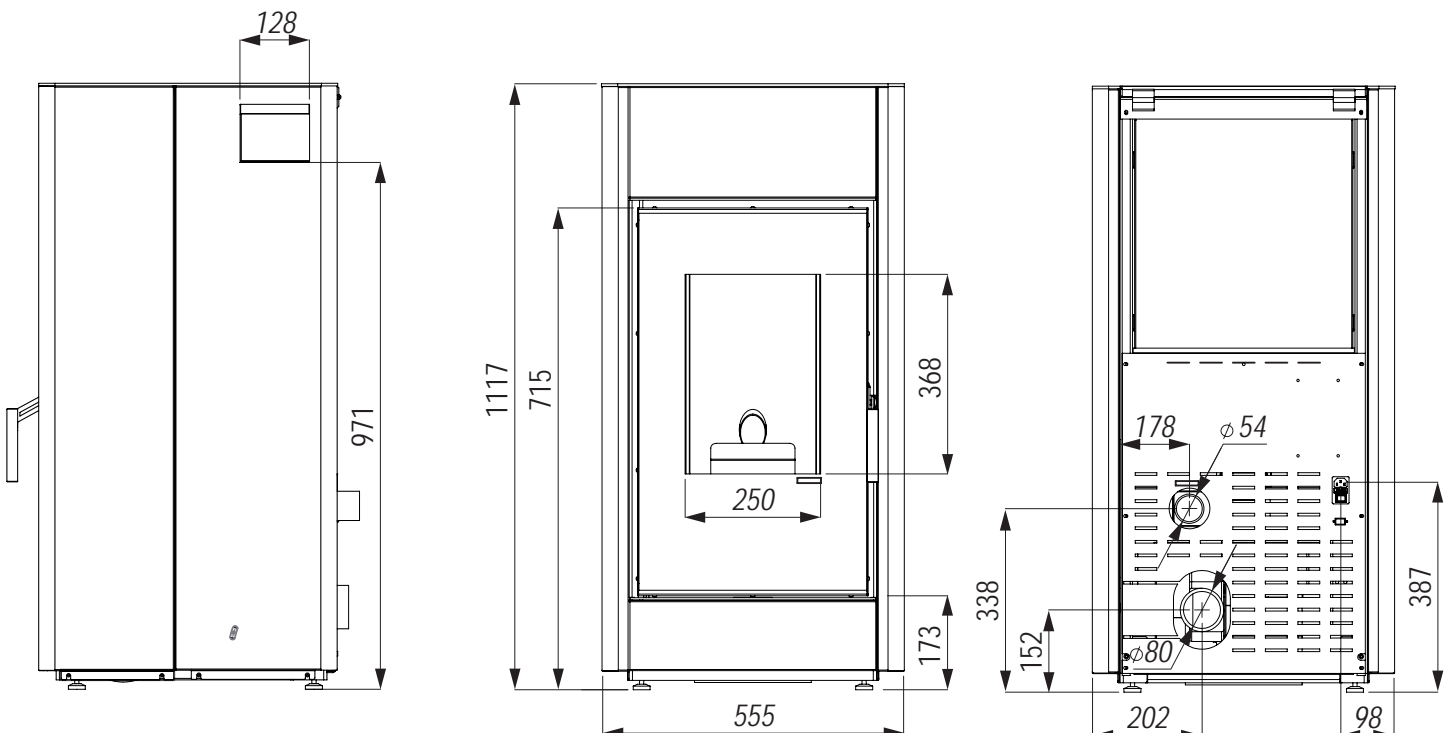
1. Maximum area of heated rooms estimated for unit heat demand in the range of 70 to 100 W/m² and rooms for standard 2,5m height. The given values have been calculated for the minimum power of 30% and maximum power of 100%. The range of the device height adjustment from 20 to 40 mm.



MYPELL



2 YEARS WARRANTY





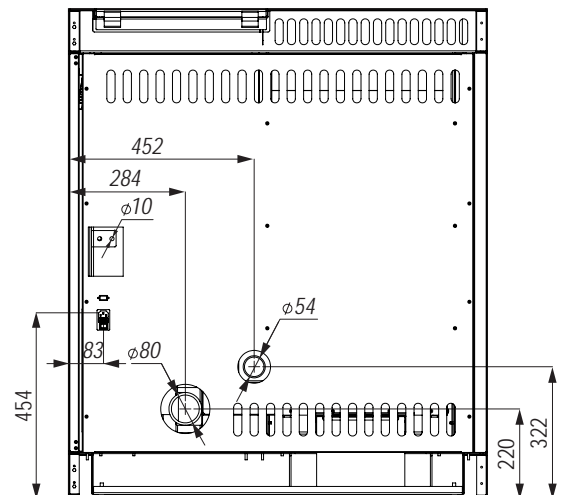
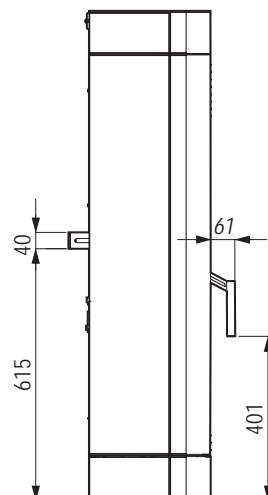
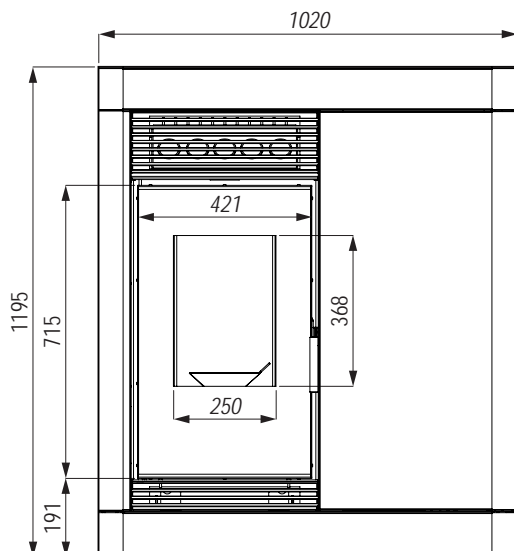
nominal power	9 kW
power range	5-9 kW
maximum power consumption	583 W
flue diameter	80 mm
efficiency	90,9 %
heated area ¹	90-130 m²
CO emission - 13% O₂	0,0078 %
flue gas temperature	138°C
chimney draught	12±2 Pa
fuel tank capacity	30 kg
guarantee	2 years
weight	~165 kg
net price	1 955 €

1. Maximum area of heated rooms estimated for unit heat demand in the range of 70 to 100 W/m² and rooms for standard 2,5m height. The given values have been calculated for the minimum power of 30% and maximum power of 100%. The range of the device height adjustment from 20 to 40 mm.

SLIMPELL



2 YEARS WARRANTY



nominal power	9 kW
power range	5-9 kW
maximum power consumption	583 W
flue diameter	80 mm
efficiency	84,5 %
heated area ¹	90-130 m²
CO emission - 13% O₂	0,0078 %
flue gas temperature	138°C
chimney draught	12±2 Pa
fuel tank capacity	30 kg
guarantee	2 years
weight	~152 kg
net price	1 870 €

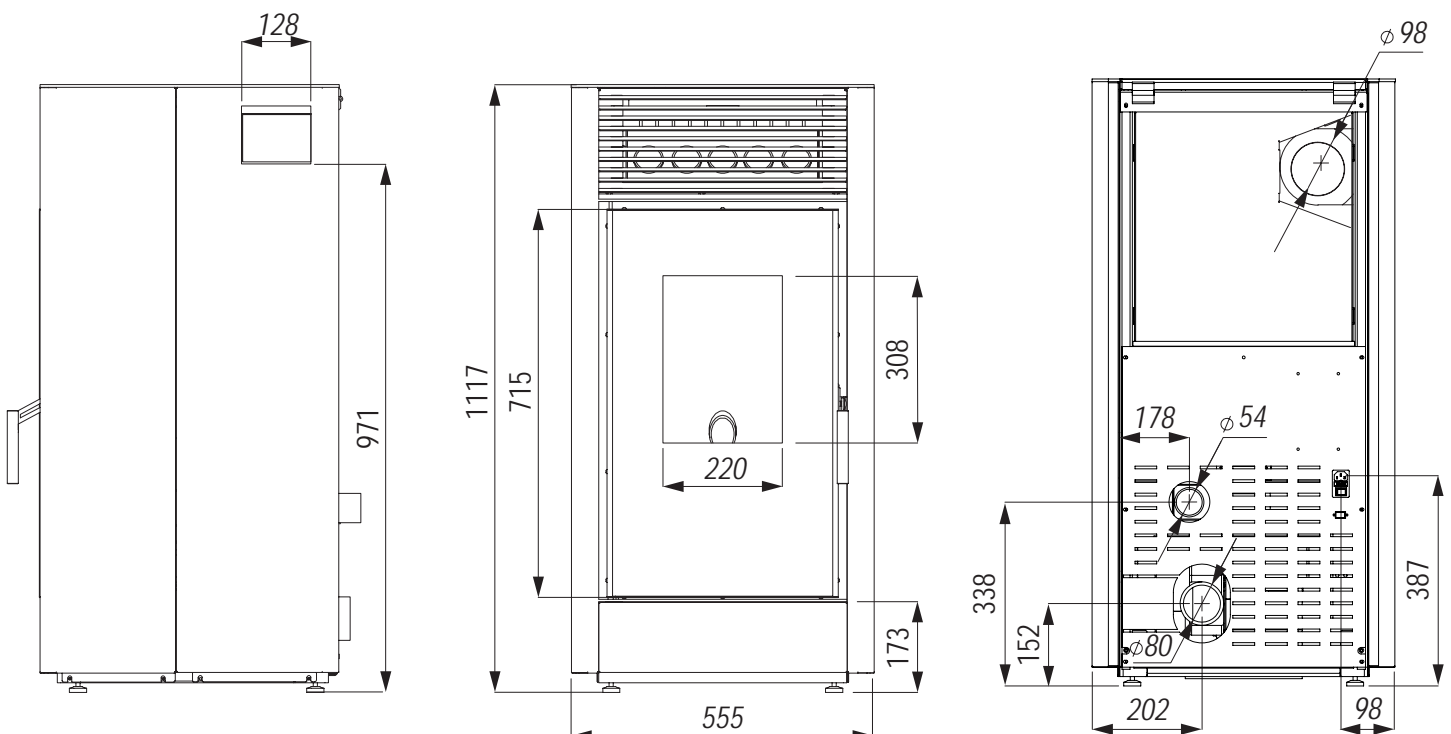


1. Maximum area of heated rooms estimated for unit heat demand in the range of 70 to 100 W/m² and rooms for standard 2,5m height. The given values have been calculated for the minimum power of 30% and maximum power of 100%. The range of the device height adjustment from 20 to 40 mm.

MYPELL DGP



2 YEARS WARRANTY



SURCHARGE FOR ADDITIONAL CONFIGURATION OF PELLET BURNING STOVES

SILVER HANDLE

Device name	net price
MYPELL	24 €
SLIMPELL	
MYPELL DGP	

COLOR CONFIGURATION OF PELLET BURNING STOVES



WHITE



GOLD



RED



BLACK

! Optional colors are presented on the example of the pellet burning stove MYPELL. The colors shown for technical reasons may differ from the actual ones.

COLOR CONFIGURATION (basic version in black painting)

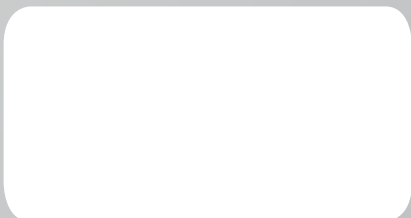
Device name	black	red	gold	white
MYPELL	standard	+ 73 € net	+ 73 € net	+ 73 € net
SLIMPELL				
MYPELL DGP				

We also invite you to familiarize yourself with our offer of solid fuel boilers that meet the requirements of 5th class and Ecodesign. Details at www.defro.pl or at authorized sales points.



DEFRO[®]
heating technology

DISTRIBUTOR



DEFRO HOME 

DEFRO Spółka z ograniczoną odpowiedzialnością Spółka komandytowa
00-403 Warszawa, ul. Solec 24/253

Address for correspondence:
26-067 Strawczyn, Ruda Strawczyńska 103A
tel. 41 303 80 85, mail: biuro@defrohome.pl

Catalogue 01/2019, Catalogue validity: 01.08.2019-31.12.2019