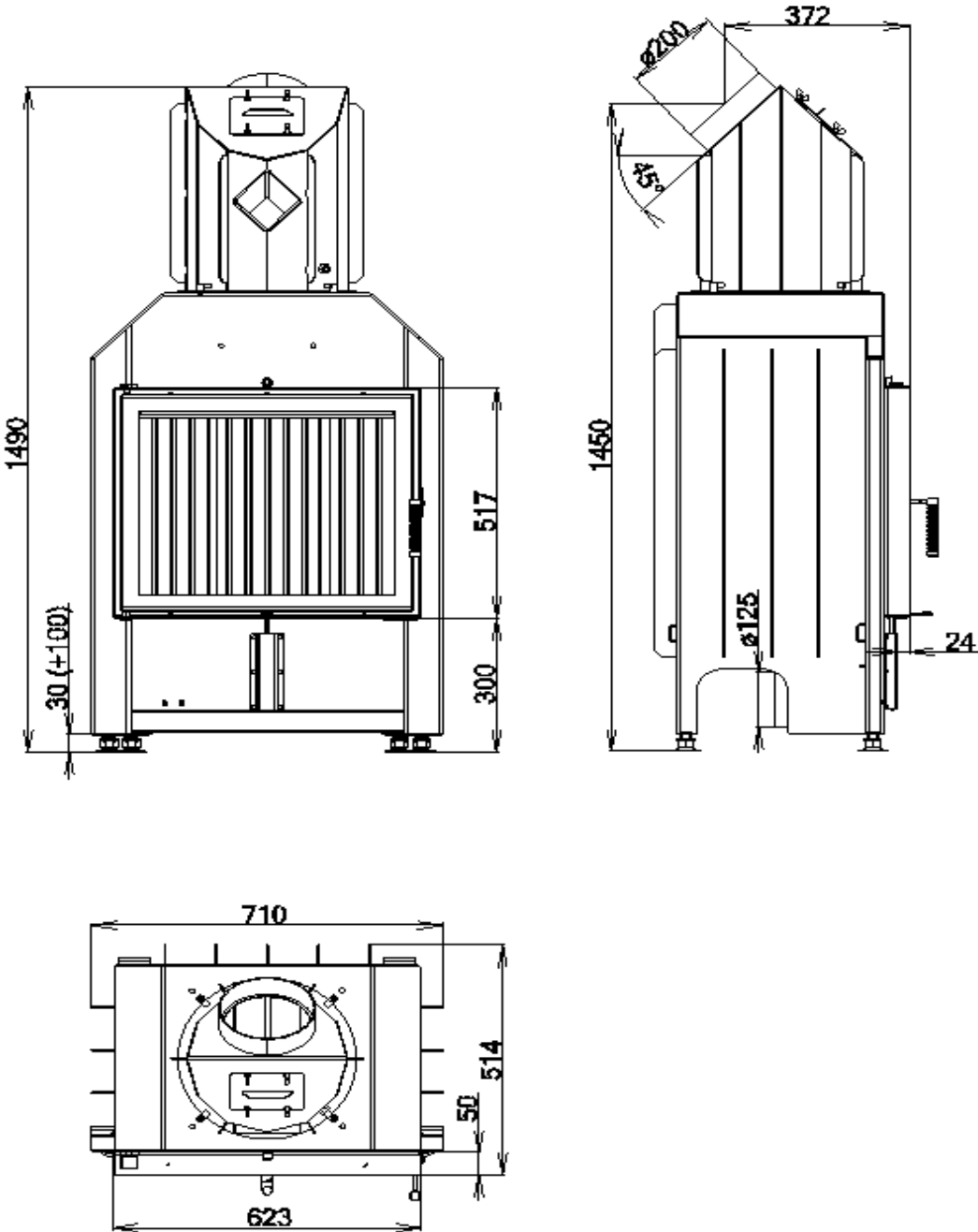


HAKA 63/51 hot-air heat exchanger



Fireplace		EN 13229
Fuel	/cm	wood/ 50
Fuel consumption	kg/hr.	3,8
Nominal output	kW	13
Efficiency	%	80
Flue gas mass flow	g/s	11
Average temperature of flue gas	°C	261
Chimney suction	Pa	12
Average intake of external air	mm	125
The required amount of air for combustion	m ³ /hr.	40
Grill area		
Air supply	cm ²	≥500
Air exhaust	cm ²	≥500
Distances		
To the wall	mm	100
To the floor	mm	50
Standarts		
Germany		BlmSchV-Stufe 2
Austria		15a BVG
Swiss		LRV
Information		
Weight	kg	215/217
Glassing		single/double